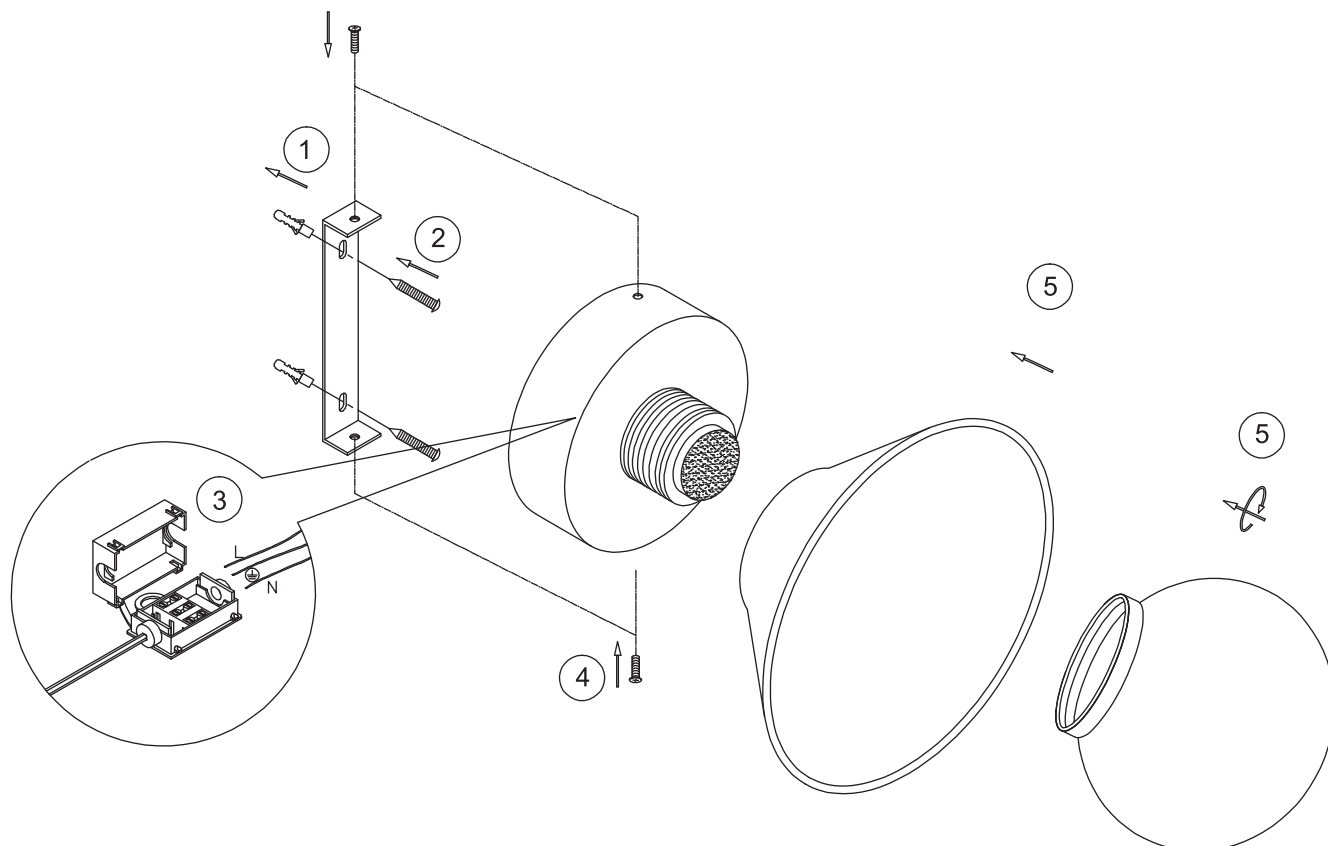


START FROM HERE

- Make sure power is completely off at the fuse box.
- Have your fixture installed by a qualified registered electrician
- Prepare everything in clear area.
- Wear gloves at all times during this installation.
- Read instructions carefully before you start assembly.
- Keep this instruction sheet for future reference.

Technical Support: 0800-67-72574



- Ensure the main supply is switched off at the mains.
- Unpack the wall sconce carefully and place it on a flat surface.
- Insert wall plugs into mounting surface. (1)
- Install the mounting bracket onto the mounting surface by using screws. (2)
- Connect main power supply wires to terminal block (brown - live, blue - neutral, green/yellow - earth) making sure all connections are tight. (3)
- Secure the base plate onto the mounting bracket by tightening the screws on the sides. (4)
- Secure on the glass shade or ceramic shade for options. (5)
- Reconnect power.
- Light source: LED 6W 3000K, TRIAC dimming.

WARNING:

- This fitting must be earthed.
- Not for outdoor use or in wet conditions.
- Disconnect power and allow fitting to cool down before cleaning or changing the lamp.