

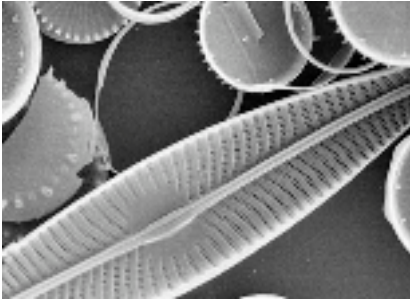
) david
trubridge

Navicula





Navicula



Navicula is derived from nature, in this case from one of the many microscopic diatoms that float around in the world's oceans. The flowing, segmented form is shipped as flatpack and assembled on site with push-in nylon clips. The thin curved pieces of CNC-cut bamboo plywood create a flowing structure that also casts magical patterns. It is lit from within a row of LED pin-point lights, the light source is aimed upwards to create a soft ambient glow. There are three sizes.



Features

Partially assembled Kitset

Our kitset lightshades are on average 1/30th of the volume of the assembled light. This aims to help minimize the effects of shipping and to reduce the design's environmental footprint.

Compliance

CE

AS/NZS

(Declarations of conformity available on request).

Care Instructions

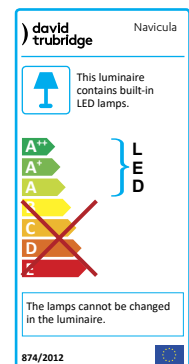
All wooden and/or polycarbonate lights are intended for use in dry interior conditions only and can be cleaned with a soft cloth or duster when the light is switched off. Do not use detergents.

Warranty

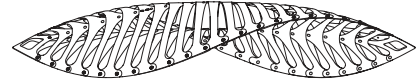
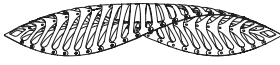
This light is warranted for three years from date of purchase for failure of parts.



5002970
CONFORMS TO :
UL STD 1598
certified to CSA STD
C22.2 No.250.0
Canada / USA



Technical Data



Small

Medium

Large

	Small	Medium	Large	
Dimensions	<p>Width: 570mm / 22"</p> <p>Height: 200mm / 8"</p> <p>Length: 1440mm / 57"</p> <p>Weight: 2kg / 4lb</p>	<p>Width: 900mm / 35"</p> <p>Height: 380mm / 15"</p> <p>Length: 1950mm / 77"</p> <p>Weight: 3kg / 7lb</p>	<p>Width: 1000mm / 39"</p> <p>Height: 450mm / 18"</p> <p>Length: 2500mm / 98"</p> <p>Weight: 6kg / 14lb</p>	
Corset	5m / 16.4ft	5m / 16.4ft	5m / 16.4ft	
Material	<p>Bamboo plywood</p> <p>(Sourced from FSC accredited factory)</p>	<p>Bamboo plywood</p> <p>(Sourced from FSC accredited factory)</p>	<p>Bamboo plywood</p> <p>(Sourced from FSC accredited factory)</p>	
Fasteners	Nylon	Nylon	Nylon	
Suspension	2 x 5m Suspension Wires	2 x 5m Suspension Wires	2 x 5m Suspension Wires	
Packaging	<p>(Partially assembled)</p> <p>1130mm x 750mm x 90mm</p> <p>44" x 30" x 4"</p> <p>0.076m³ / 2.6839ft³</p> <p>6kg / 13.22lb</p>	<p>(Partially assembled)</p> <p>1130mm x 750mm x 90mm</p> <p>44" x 30" x 4"</p> <p>0.076m³ / 2.6839ft³</p> <p>7kg / 15.43lb</p>	<p>(Partially assembled)</p> <p>1280mm x 925mm x 130mm</p> <p>50" x 36" x 5"</p> <p>0.154m³ / 5.4384ft³</p> <p>13kg / 28.66lb</p>	

Finish Choices



Bamboo

All bamboo (our primary material) is secondary product, from renewable forests in China grown as a food source. We have visited these plantations and are satisfied with the quality of their systems.



Painted Lights

We use an acrylic low VOC (volatile organic compound) paint that is made in New Zealand. Colour swatches are available in all retailers. See the Resene website for more info. www.resene.co.nz



Bamboo



Aqua



Lime



Red



Orange



Blue



Pink



Black 1 Side (Outside)



Black 1 Side (Inside)



Black 2 Sides



White 1 Side



White 2 Sides

You will need

Fixings for cone gripper and canopy (fixing screws NOT SUPPLIED).

Note: Choose appropriate hardware to attach base plate (Fig.1) to ceiling substrate.

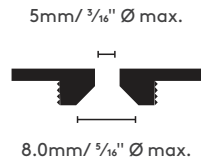


Fig 1. Base Plate

Installation

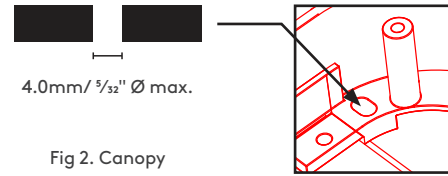
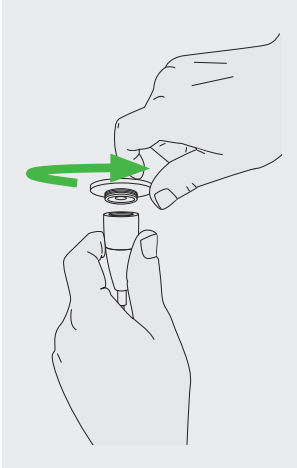
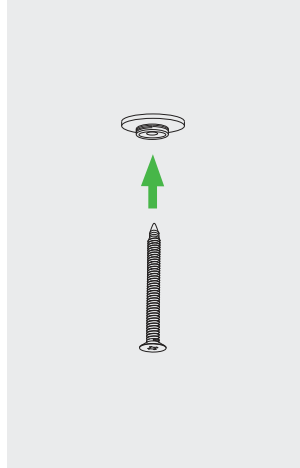


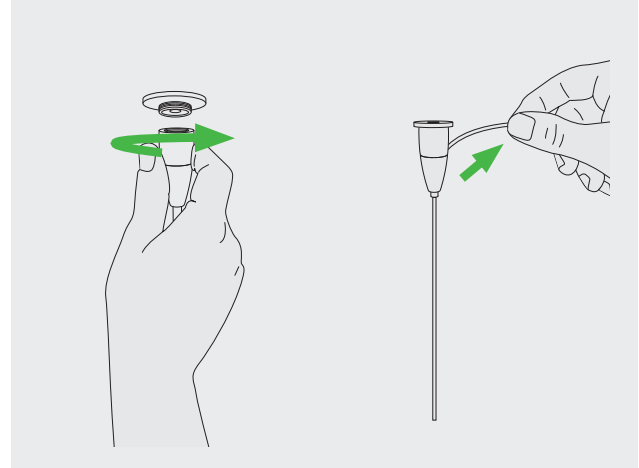
Fig 2. Canopy



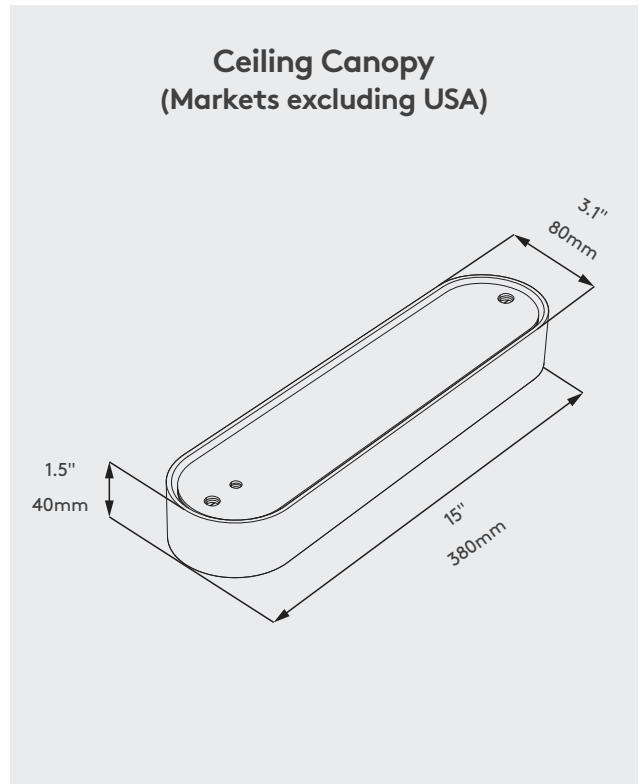
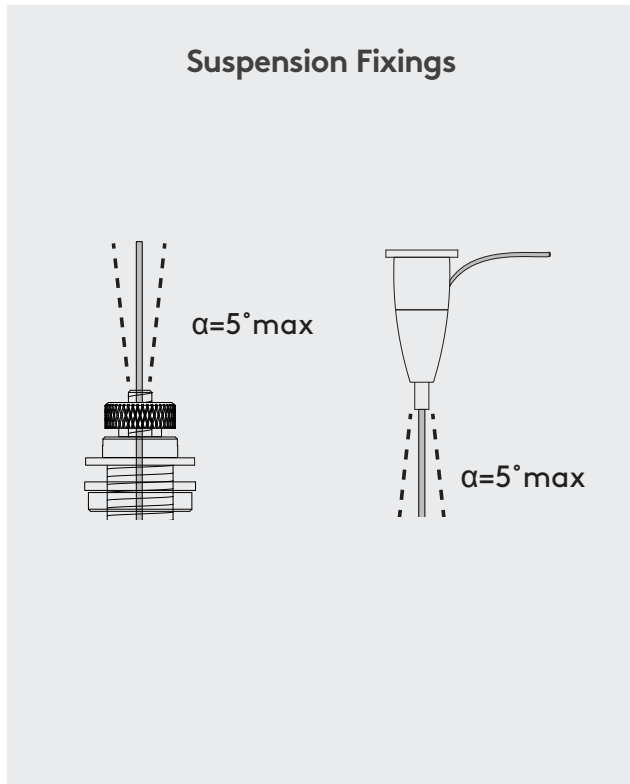
Step 1.
Unscrew baseplate.



Step 2.
Use appropriate fixing screw to mount base plate (Fig.1).



Step 3.
Remove cable from cone. Screw cone back onto baseplate. Re-insert cable and level light. Once desired position is set, trim excess cable.



(Fig 2) Canopy

Installation

Driver/Transformer position option 1: Surface mounted ceiling canopy

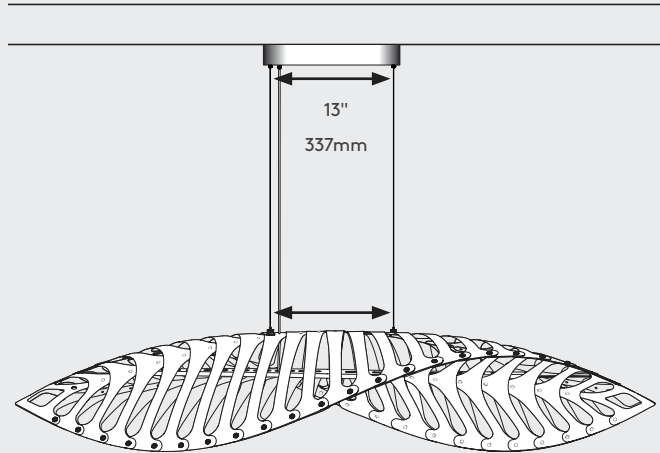
Small

Electric details (Rest of the world)

LED LIGHT BAR
Warm white LED Strip, 24VDC, 8W
2700K

DRIVER / TRANSFORMER
Tridonic, 220-240VAC, 50/60Hz
* Dimmable

CEILING CANOPY
1kg / 2.2lb



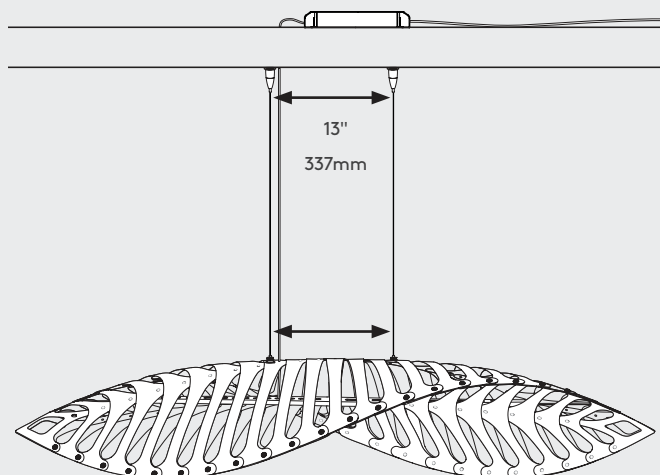
Driver/Transformer position option 2: Remote location (not using canopy)

Small

Electric details (Rest of the world)

LED LIGHT BAR
Warm white LED Strip, 24VDC, 8W
2700K

DRIVER / TRANSFORMER
Tridonic, 220-240VAC, 50/60Hz
* Dimmable

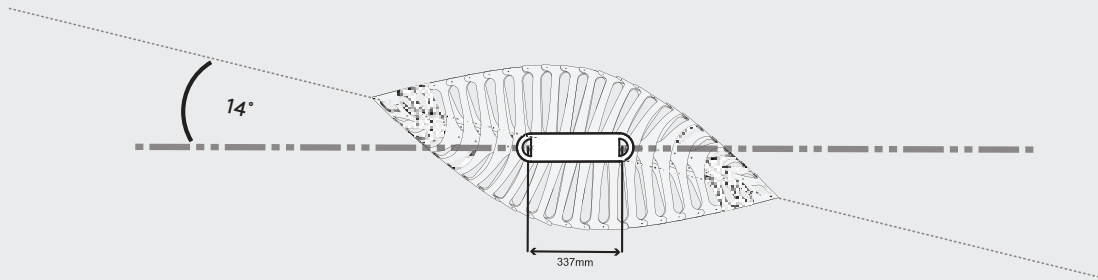


Installation

Navicula naturally hangs at 14 degree difference to alignment of canopy.

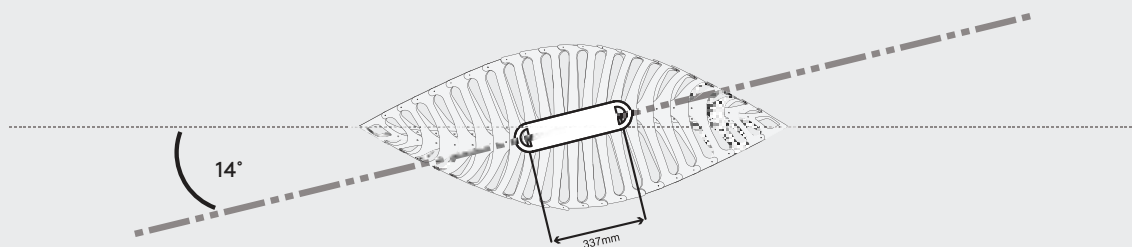
Small

a



To align canopy to an edge see diagram a.

b



To align Navicula to an edge see diagram b.

All line drawings are not to scale.

Installation

Driver/Transformer position option 1: Surface mounted ceiling canopy

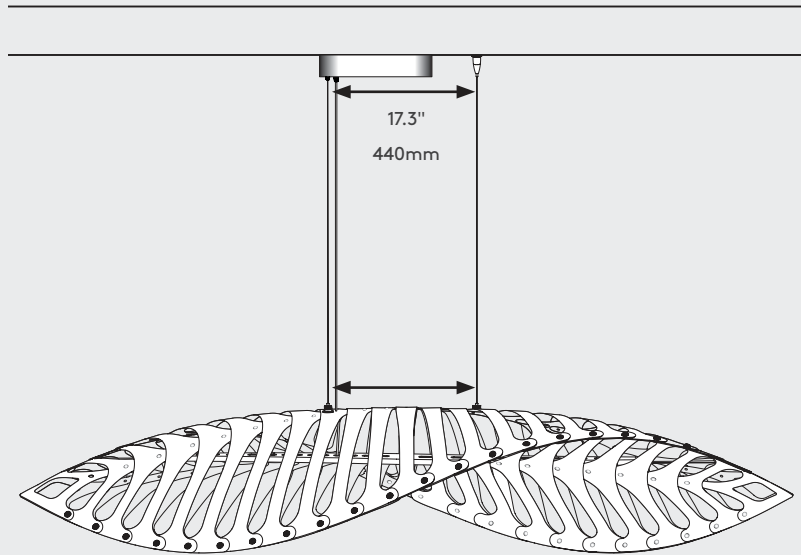
Medium

Electric details (Rest of the world)

LED LIGHT BAR
Warm white LED Strip, 24VDC, 11W
2700K

DRIVER / TRANSFORMER
Tridonic, 220-240VAC, 50/60Hz
* Dimmable

CEILING CANOPY
1kg / 2.2lb



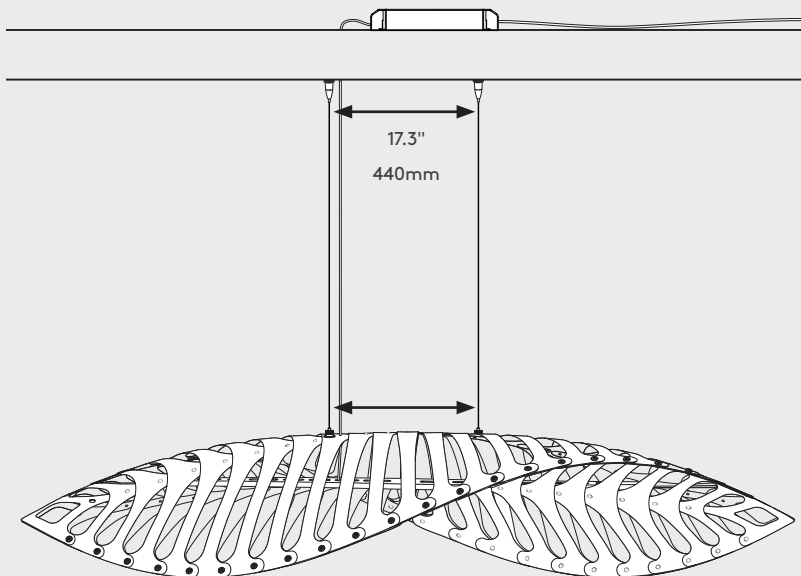
Driver/Transformer position option 2: Remote location (not using canopy)

Medium

Electric details (Rest of the world)

LED LIGHT BAR
Warm white LED Strip, 24VDC, 11W
2700K

DRIVER / TRANSFORMER
Tridonic, 220-240VAC, 50/60Hz
* Dimmable

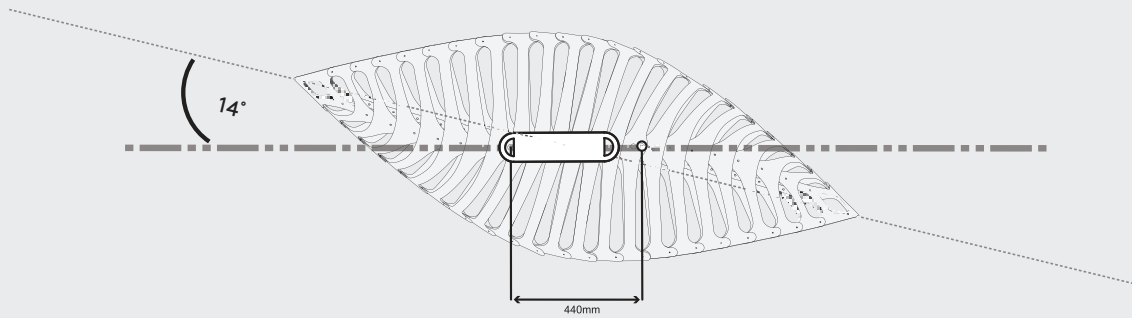


Installation

Navicula naturally hangs at 14 degree difference to alignment of canopy.

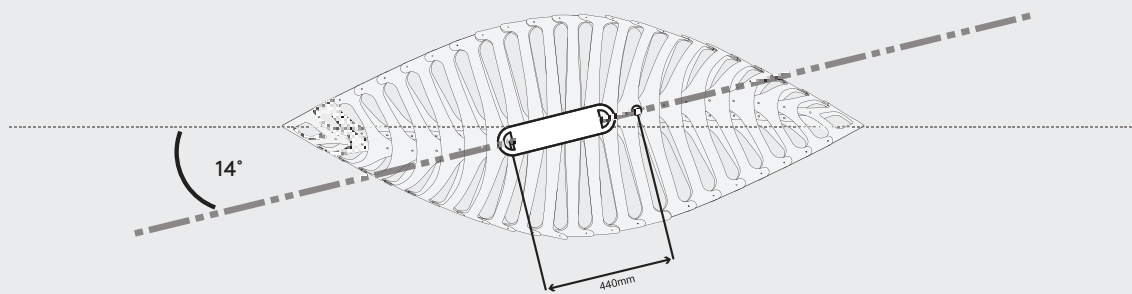
Medium

a



To align canopy to an edge see diagram a.

b



To align Navicula to an edge see diagram b.

All line drawings are not to scale.

Installation

Driver/Transformer position option 1: Surface mounted ceiling canopy

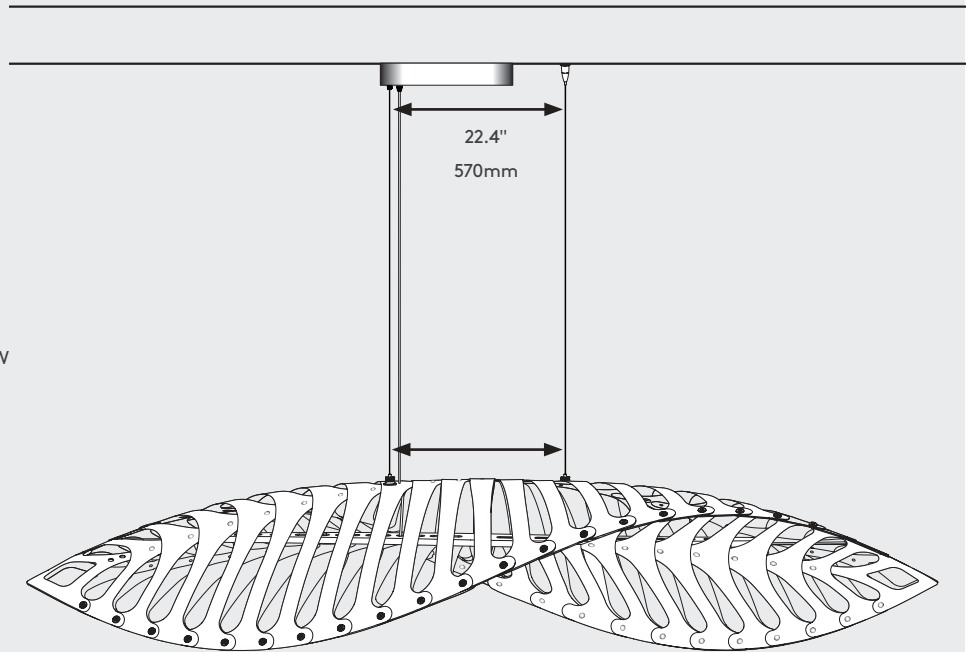
Large

Electric details (Rest of the world)

LED LIGHT BAR
Warm white LED Strip, 24VDC, 18W
2700K

DRIVER / TRANSFORMER
Tridonic, 220-240V, ac 50/60Hz
* Dimmable

CEILING CANOPY
1kg / 2.2lb



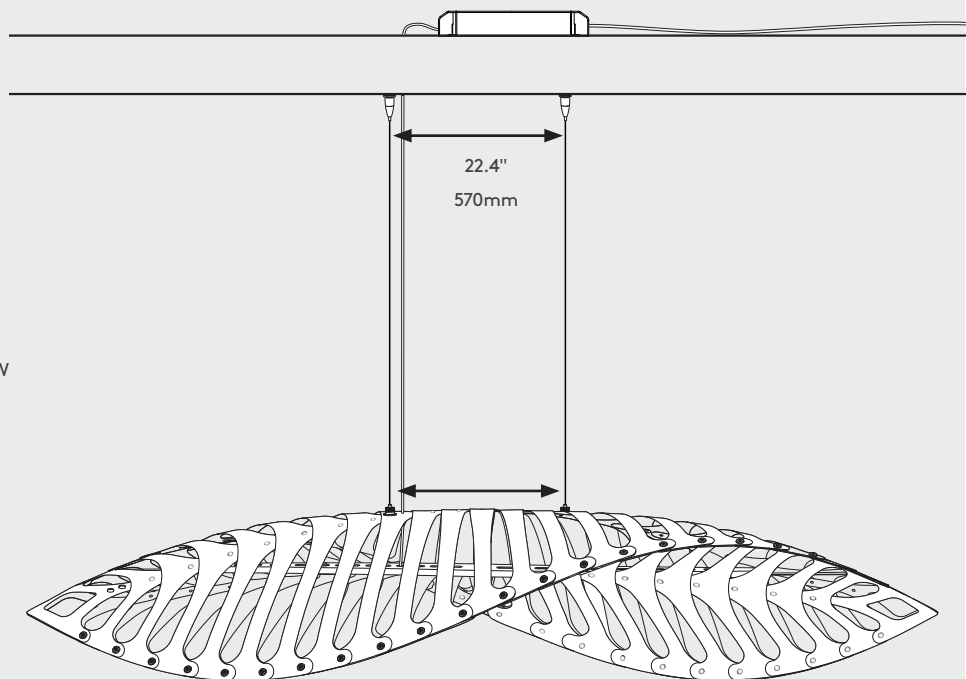
Driver/Transformer position option 2: Remote location (not using canopy)

Large

Electric details (Rest of the world)

LED LIGHT BAR
Warm white LED Strip, 24VDC, 18W
2700K

DRIVER / TRANSFORMER
Tridonic, 220-240V, ac 50/60Hz
* Dimmable

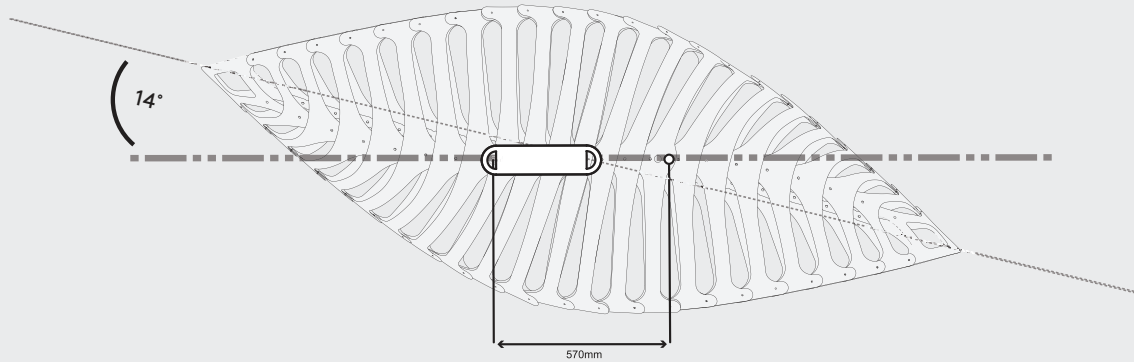


Installation

Navicula naturally hangs at 14 degree difference to alignment of canopy.

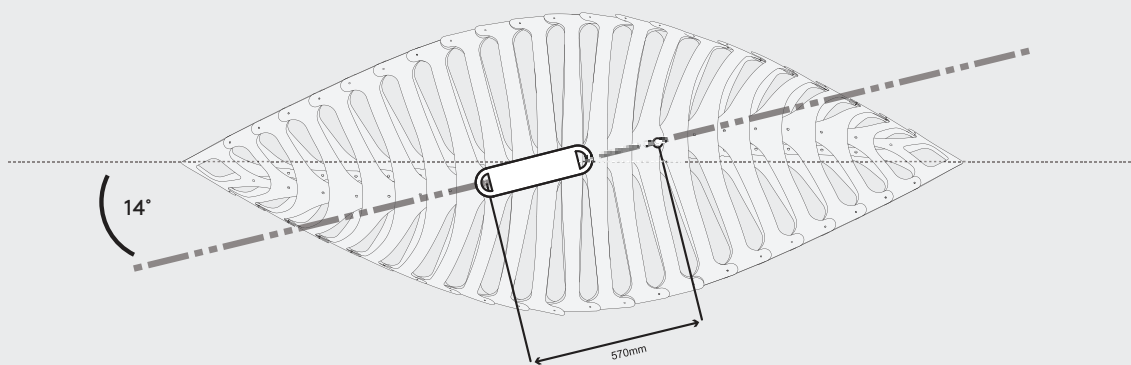
Large

a



To align canopy to an edge see diagram a.

b



To align Navicula to an edge see diagram b.

All line drawings are not to scale.

Installation (USA)

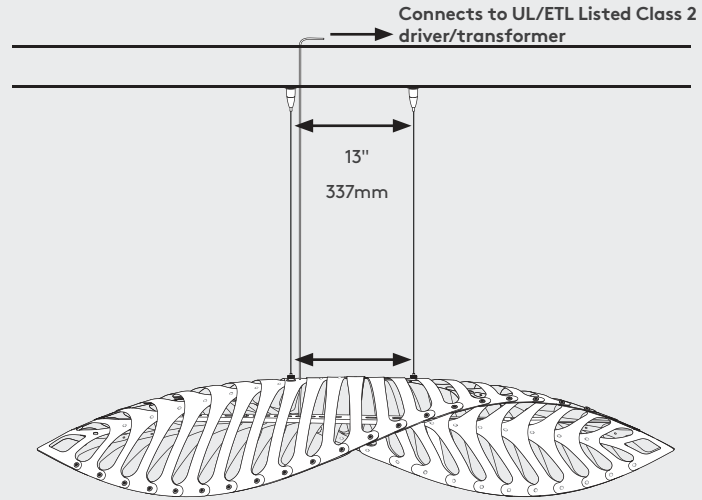
Driver/Transformer position: Remote location (not using canopy)

Small

USA details

LED LIGHT BAR
Warm white LED Strip, 24VDC, 8W
2700K

DRIVER / TRANSFORMER
UL/ETL Listed Class 2, 120VAC, 60Hz



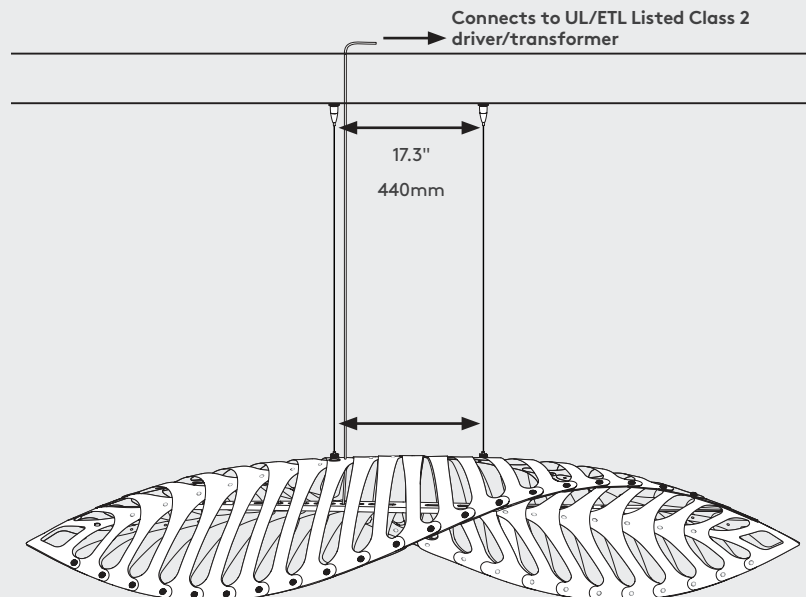
Driver/Transformer position: Remote location (not using canopy)

Medium

USA details

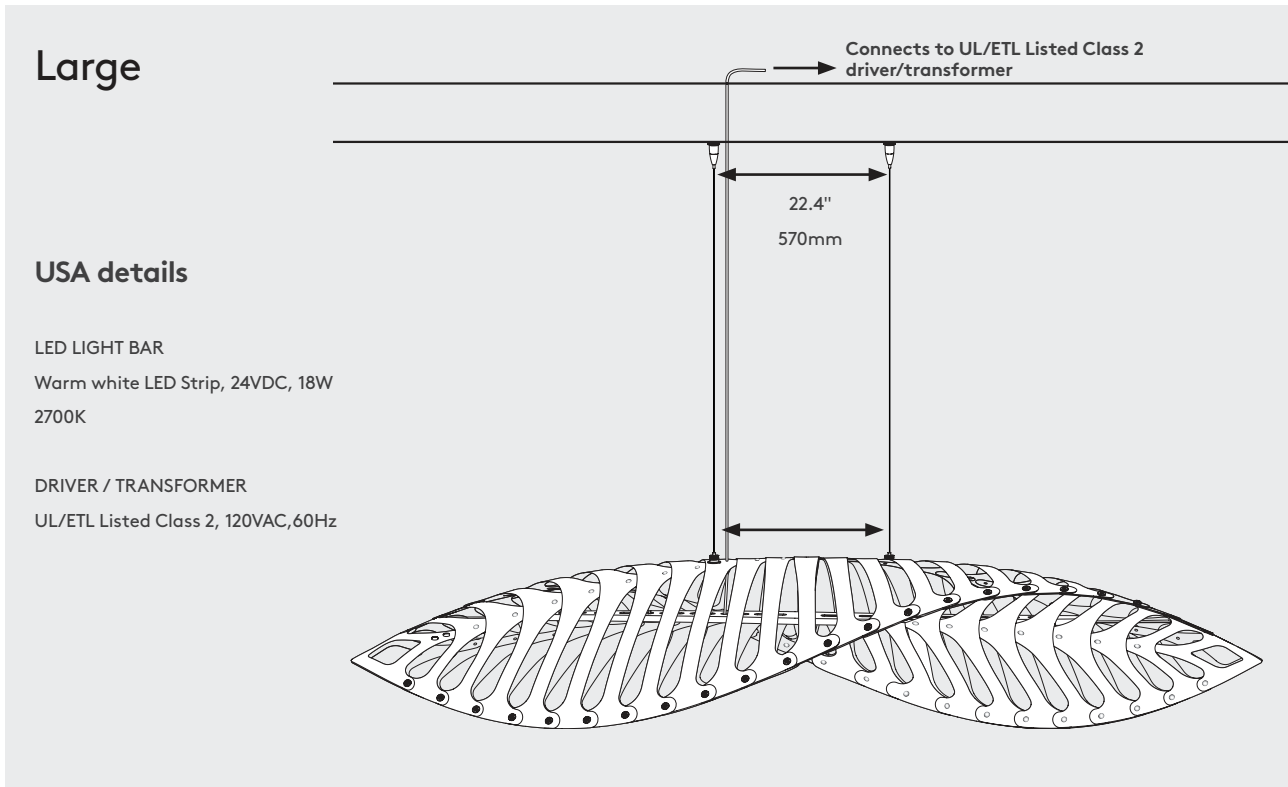
LED LIGHT BAR
Warm white LED Strip, 24VDC, 11W
2700K

DRIVER / TRANSFORMER
UL/ETL Listed Class 2, 120VAC, 60Hz



Installation (USA)

Driver/Transformer position: Remote location (not using canopy)

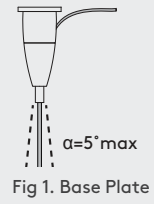


All line drawings are not to scale.

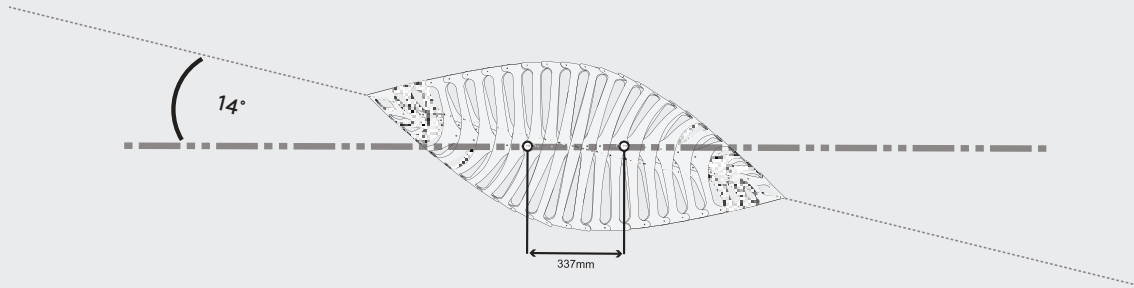
Installation (USA)

Navicula naturally hangs at 14 degree difference to alignment of cone gripper.

Small

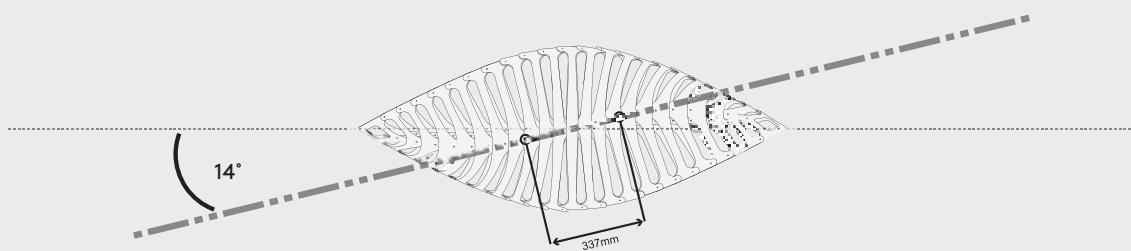


a



To align cone gripper to an edge see diagram a.

b



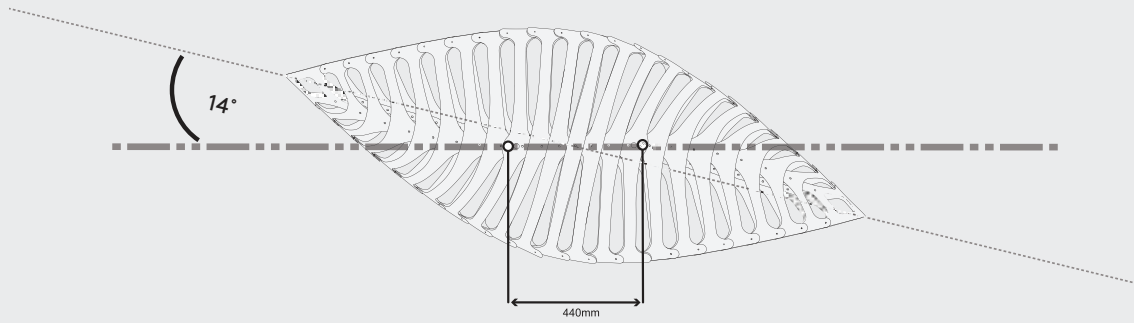
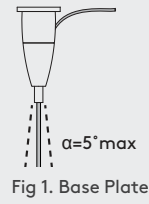
To align Navicula to an edge see diagram b.

Installation (USA)

Navicula naturally hangs at 14 degree difference to alignment of cone gripper.

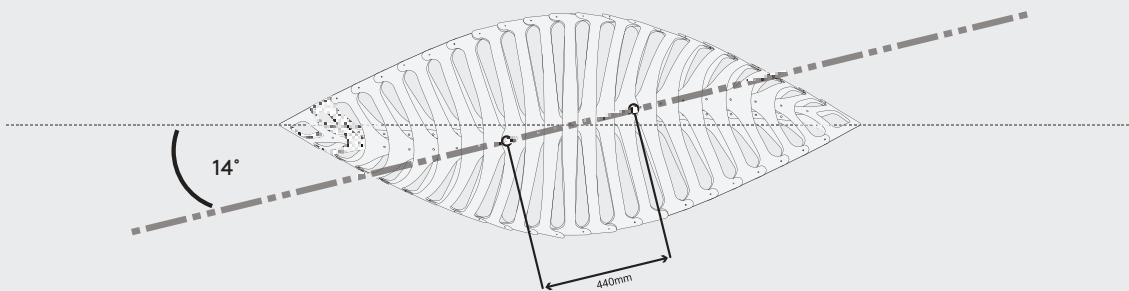
Medium

a



To align cone gripper to an edge see diagram a.

b



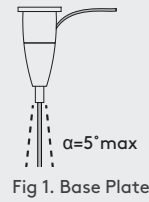
To align Navicula to an edge see diagram b.

All line drawings are not to scale.

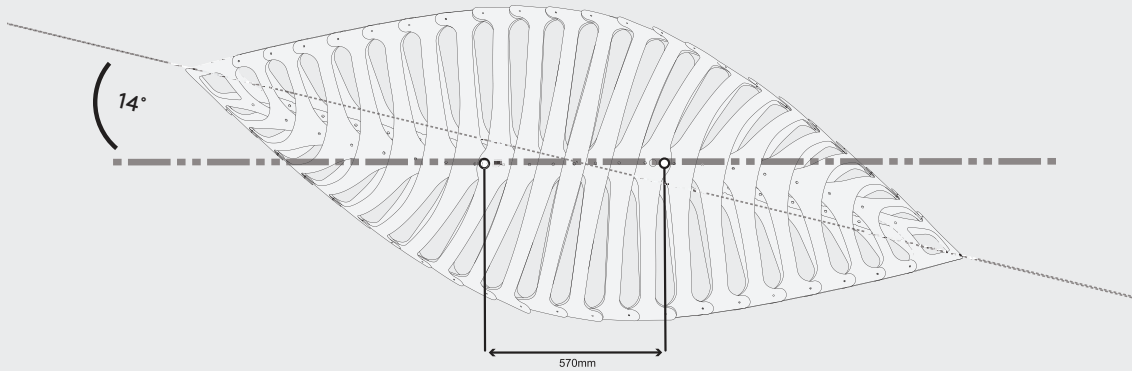
Installation (USA)

Navicula naturally hangs at 14 degree difference to alignment of cone gripper.

Large

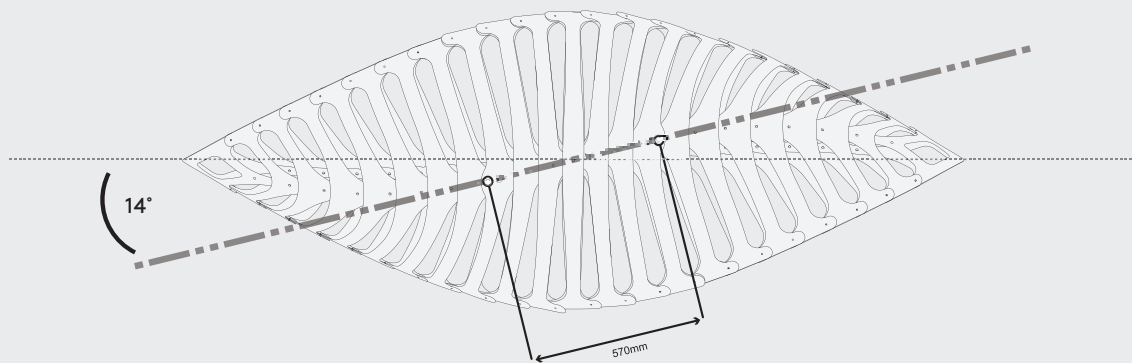


a



To align cone gripper to an edge see diagram a.

b



To align Navicula to an edge see diagram b.

All line drawings are not to scale.

Contact

New Zealand
Showroom/Head office



Contact

+64 6 6500 204
info@davidtrubridge.com

Address

**Corner Station Road &
Groome Place, Whakatu,
Hastings, Hawkes Bay,
New Zealand**