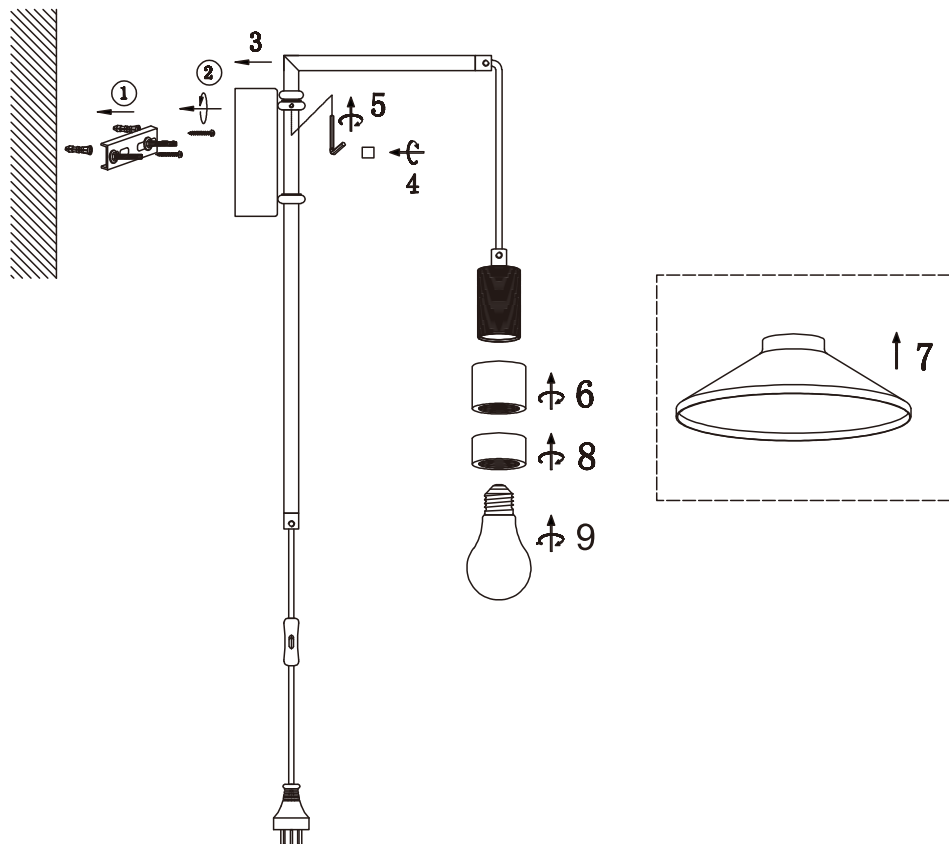


START FROM HERE

- Prepare everything in clear area.
 - Wear gloves at all times during this installation.
 - Read instructions carefully before you start assembly.
 - Keep this instruction sheet for future reference.
- Technical Support:** 0800-67-72574



- Unpack the wall sconce carefully and place it on a flat surface.
- Insert wall plugs into mounting surface (1)
- Fix the mounting bracket into mounting surface with screws. (2)
- Fix the wall plate (3) onto the mounting bracket with supplied bolts (4)
- Loosen the little grub screw with a small screwdriver, rotate the arm to your preference angle and then re-tighten the little grub screw (5)
- Screw on the 2 piece ring set (6,8) with the shade (7) in the middle or install the bulb (not included) directly into lamp holder. (9)
- Connect to power.
- Light source: E27 60W MAX

WARNING:

- This fitting must be earthed.
- Not for outdoor use or in wet conditions.
- Disconnect power and allow fitting to cool down before cleaning or changing the lamp.