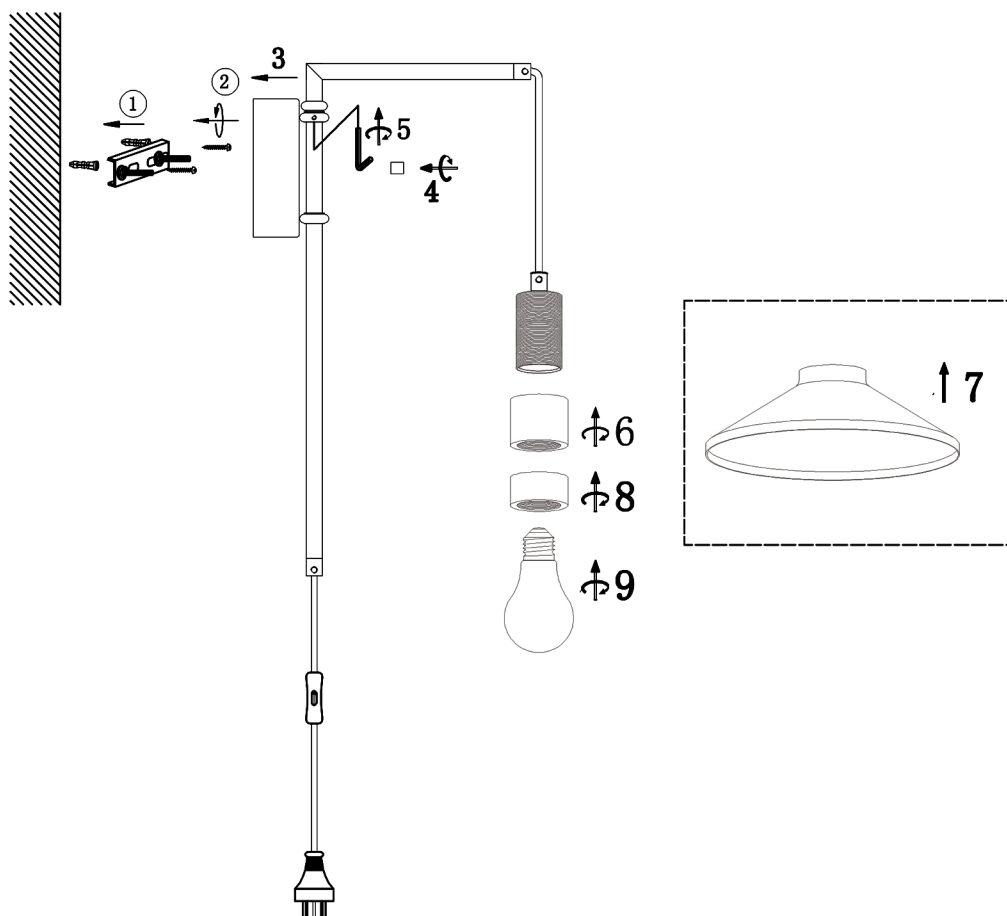


START FROM HERE

- Make sure power is completely off at the fuse box.
- Have your fixture installed by a qualified registered electrician
- Prepare everything in clear area.
- Wear gloves at all times during this installation.
- Read instructions carefully before you start assembly.
- Keep this instruction sheet for future reference.

Technical Support: 0800-67-72574



- Ensure the main supply is switched off at the mains
- Unpack the wall sconce carefully and place it on a flat surface.
- Insert wall plugs into mounting surface(1)
- Fix the mounting bracket into a solid substrate with screws(2)
- Fix the wall plate(3) onto the mounting bracket with supplied bolts(4)
- Loosen the little grub screw with a small screwdriver ,rotate the arm to your preference angle and then re-tighten the little grub screw(5)
- Screw on the 2 piece ring set(6,8) with the shade (7) in the middle or install the bulb(not included) directly into lamp holder. (9)
- Reconnect power
- Light source: E27 60W MAX

WARNING:

- This fitting must be earthed.
- Not for outdoor use or in wet conditions.
- Disconnect power and allow fitting to cool down before cleaning or changing the lamp.