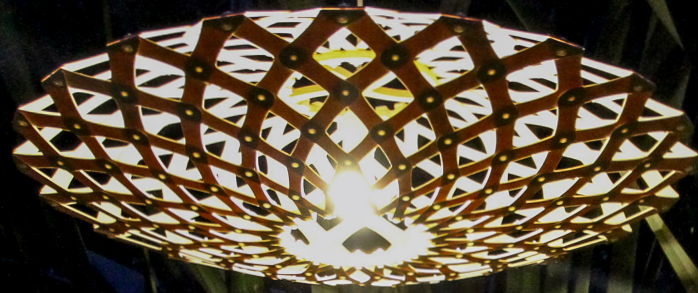


) david
trubridge



Flax



Photo: Patrick Reynolds

Flax



Flax Pendant is based on the long slender leaves of the indigenous flax plant or harakeke in Maori that has long been grown for its valuable fibre. There is a Maori proverb about preserving important resources: If you cut the central stalk of the flax bush, where will the bellbird feed?

Flax comes in 3 sizes; 800mm, 1100mm and 1500mm. The plywood finish can be all natural bamboo or painted creating a wide range of colour options. The shallow form lends itself to lower ceiling spaces.



Features

Shipped Kitset

Seed System kitset lightshades are on average 1/30th of the volume of the assembled light. This aims to help minimize the effects of shipping and to reduce the design's environmental footprint.

Compliance

CE

AS/NZS

(Declarations of conformity available on request).

Care Instructions

All wooden and/or polycarbonate lights are intended for use in dry interior conditions only and can be cleaned with a soft cloth dampened slightly in warm soapy water when the light is switched off. Do not use detergents.

Light sizes

David Trubridge kitset lightshades come in various sizes, making it easy to find the right size to any interior space whether it's small or large.

EPD Certified

An EPD is a standardised and verified way of quantifying the environmental impacts of a product, based on a consistent set of rules that have been developed through a stakeholder consultation process.

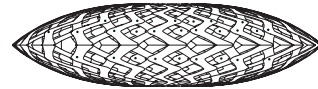
Warranty

This light is warranted for three years from date of purchase for failure of parts.



THE INTERNATIONAL EPD® SYSTEM

Technical Data



800mm/31"

1100mm/43"

1500mm/59"

Width: 800mm / 31"
 Height: 220mm / 9"
 Weight: 1.5kg / 3.30lb

Width: 1100mm / 43"
 Height: 290mm / 11"
 Weight: 2.6kg / 5.73lb

Width: 1500mm / 59"
 Height: 325mm / 13"
 Weight: 7kg / 15.4lb

2m / 6.5ft

3m / 9.8ft

5m / 16.4ft

Bamboo plywood
 (Sourced from FSC accredited factory)

Bamboo plywood
 (Sourced from FSC accredited factory)

Bamboo plywood
 (Sourced from FSC accredited factory)

Nylon

Nylon

Nylon

Hangs on cord

Hangs on cord

3 x Suspension Wires

395mm x 335mm x 105mm
 16" x 13" x 4"
 0.014m³ / 0.5ft³
 2.1kg / 4.63lb

530mm x 450mm x 80mm
 21" x 18" x 3"
 0.019m³ / 0.67ft³
 3.8kg / 8.4lb

750mm x 590mm x 205mm
 30" x 23" x 8"
 0.091m³ / 3.2ft³
 9.5kg / 20.943lb

Dimensions

Cordset*

Material

Fasteners

Suspension

Packaging

*Black comes with black cordset and fasteners. All others come with white cordset and clear fasteners. Custom cordset lengths available on request.

Diagrams

Fixings for cone gripper (fixing screws NOT SUPPLIED).

Note: Choose appropriate hardware to attach base plate (Fig.1) to ceiling substrate.

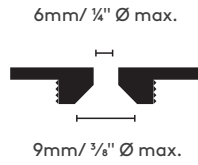
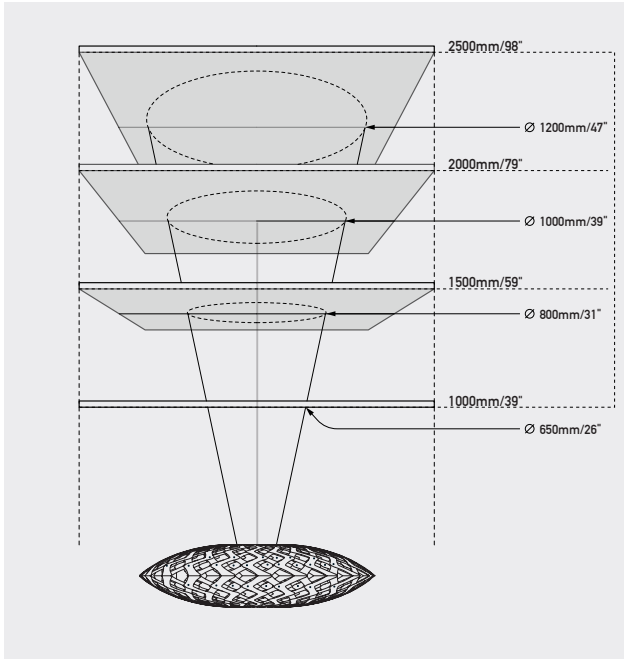


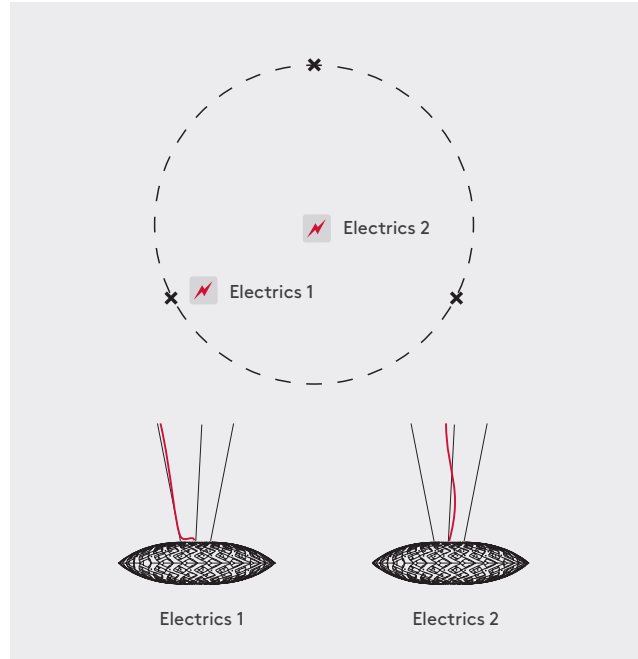
Fig 1. Base Plate



Step 1.

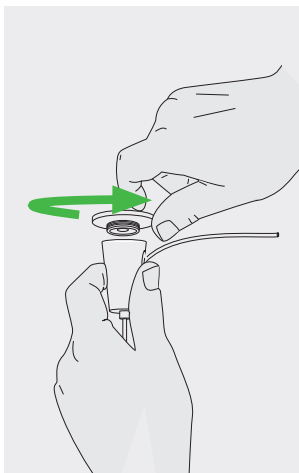
Decide upon hanging distance. Use the schematic diagram as a guide to pick a circle radius to be marked out on ceiling. This circle can be marked with a length of timber or string.

Installation 1500mm/59"



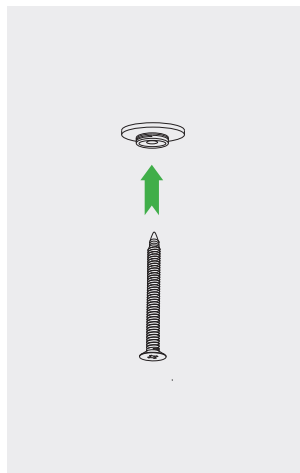
Step 2.

Mark 3 hanging points where your cone grippers will be located. You can either centrally locate the ceiling canopy or run the electric cord up one of the suspension wires.



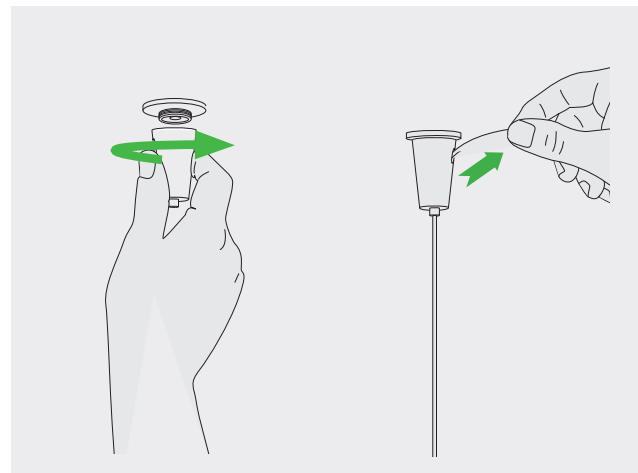
Step 3.

Unscrew baseplate.



Step 4.

Use appropriate fixing screw to mount base plate (Fig.1).

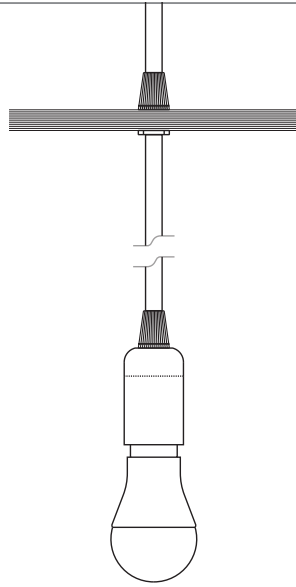


Step 5.

Remove cable from cone. Screw cone back onto baseplate. Re-insert cable and level light. Once desired position is set, trim excess cable.

Diagrams

800mm / 31"



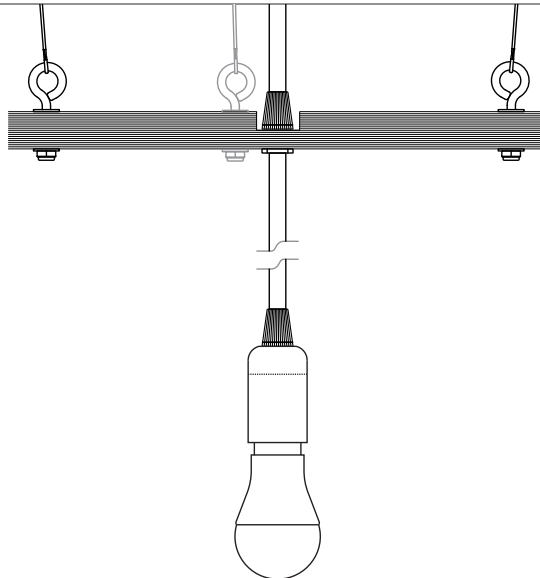
North America: E26, Max 60 Watts

120v AC 60hz

Rest of World: E27, Max 60 Watts

230-240v AC 50hz

1500mm/59"



North America: E26, Max 60 Watts

120v AC 60hz

Rest of World: E27, Max 60 Watts

230-240v AC 50hz

Finish Choices

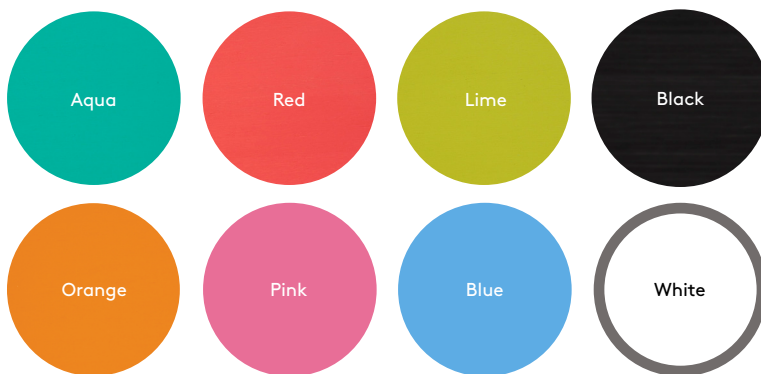
We offer 12 stock finish options for Toru. We use low VOC acrylic paint and it is most commonly used on the interior of the light. We can also produce lights in other finishes or colours by special order. All lights are made from sustainably grown bamboo plywood sourced from an FSC accredited factory.



Raw finish:



Painted 1 Side:



Painted 2 Sides: (inside and outside)





Bamboo

Aqua

Lime



Red

Orange

Blue



Pink

Black 1 Side (Outside)

Black 1 Side (Inside)



Black 2 Sides

White 1 Side

White 2 Sides

The image features a dramatic landscape with rolling hills. The foreground and middle ground are covered in dense, dark green forest. In the background, a range of hills is illuminated by a golden light, likely from a low sun, creating a strong contrast with the dark sky. The sky is a deep, dark grey, suggesting an overcast or twilight setting. The overall mood is serene and atmospheric.

) david
trubridge

davidtrubridge.com

David Trubridge Studio

Hawke's Bay, New Zealand

info@davidtrubridge.com

+ 64 6 650 0204