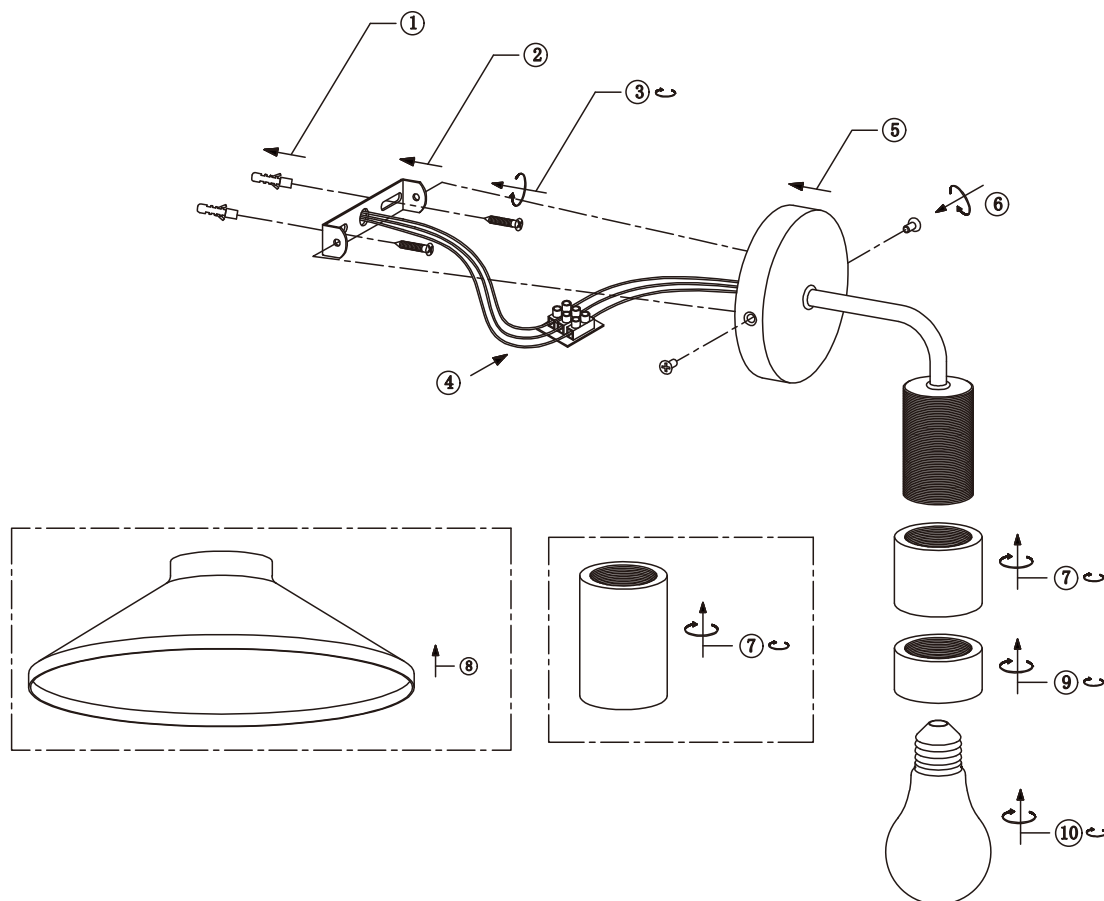


### START FROM HERE

- Make sure power is completely off at the fuse box.
- Have your fixture installed by a qualified registered electrician
- Prepare everything in clear area.
- Wear gloves at all times during this installation.
- Read instructions carefully before you start assembly.
- Keep this instruction sheet for future reference.

**Technical Support:** 0800-67-72574



- Ensure the main supply is switched off at the mains.
- Unpack the wall sconce carefully and place it on a flat surface.
- Insert wall plugs into mounting surface (1).
- Install the mounting bracket onto the mounting surface by using screws. (2, 3)
- Connect main power supply wires to terminal block (brown - live, blue - neutral, green/yellow - earth) making sure all connections are tight. (4)
- Secure the wall plate onto the mounting bracket by tightening the screws on the sides. (5, 6)
- Screw on the 2 piece ring set with the shade in the middle (7, 8 & 9) or the 1 x 70mm ring (7) for the bare bulb version of this light.
- Install the bulb (not included) into lamp holder. (10)
- Reconnect power.
- Light source: E27 60W MAX

### WARNING:

- This fitting must be earthed.
- Not for outdoor use or in wet conditions.
- Disconnect power and allow fitting to cool down before cleaning or changing the lamp.