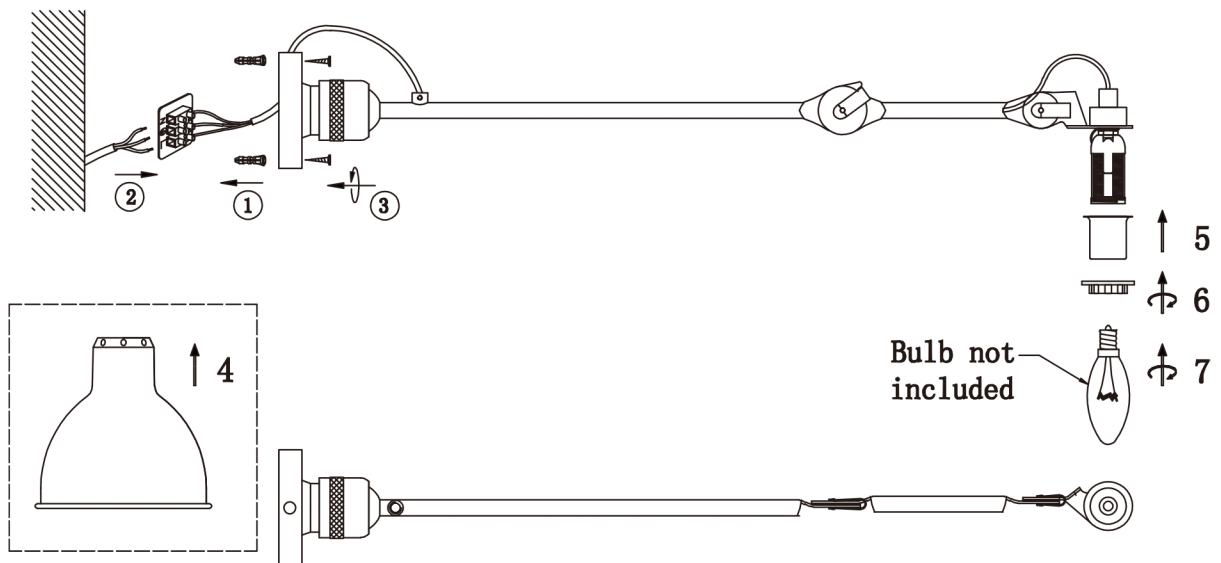


START FROM HERE

- Make sure power is completely off at the fuse box.
- Have your fixture installed by a qualified registered electrician
- Prepare everything in clear area.
- Wear gloves at all times during this installation.
- Read instructions carefully before you start assembly.
- Keep this instruction sheet for future reference.

Technical Support: 0800-67-72574



- Ensure the main supply is switched off at the mains
- Unpack the wall sconce carefully and place it on a flat surface.
- Insert wall plugs into mounting surface(1)
- Connect main power supply wires to terminal block (brown - live, blue - neutral, green/yellow - earth) making sure all connections are tight. (2)
- Fix the wall plate into a solid substrate with supplied screws(3)
- Slide the shade up the lamp holder (4), followed by the lamp holder sleeve (5) and then screw on the lamp holder ring (6) to secure the shade components together.
- Install the bulb (not included) into the lamp holder. (7)
- Reconnect power
- Light source: E14 40W MAX

WARNING:

- This fitting must be earthed.
- Not for outdoor use or in wet conditions.
- Disconnect power and allow fitting to cool down before cleaning or changing the lamp.