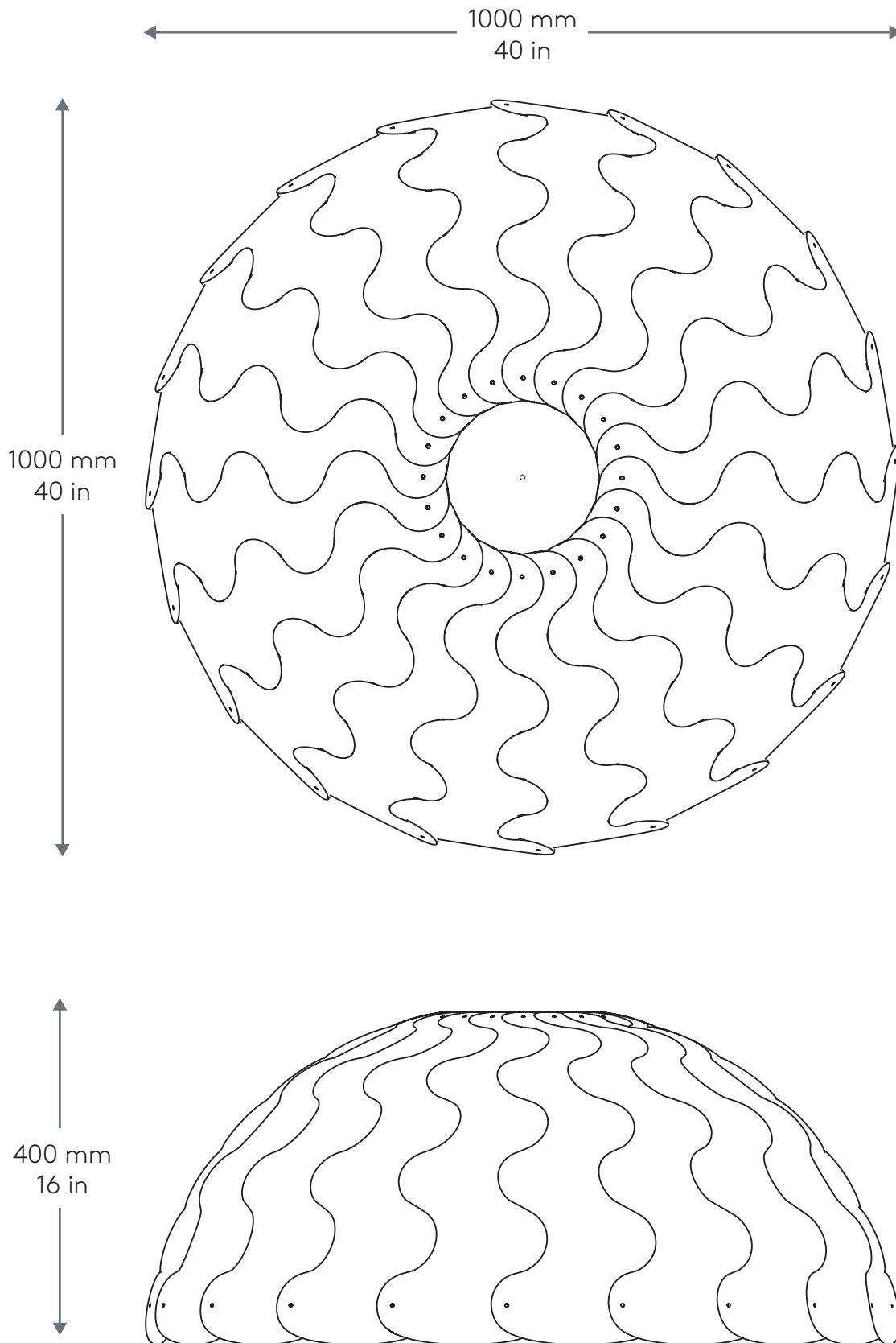


HUSH MICRO E26

Designed by David Trubridge
(1015-D)

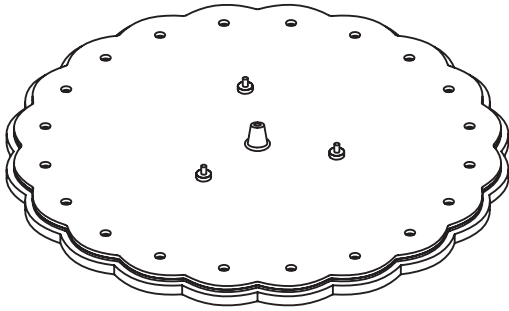
PLN GROUP

Overall Dimensions - Model: 1015D (E26)

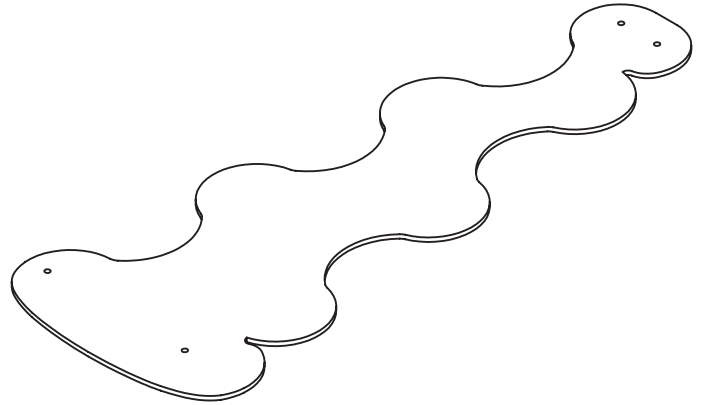


Contents (not to scale)

Please double check all components are present and quantities are correct before beginning assembly



x1
Top Panel Assembly
(Cord set attached but not shown)



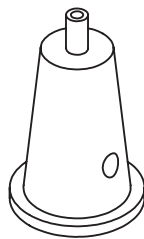
x18
Tapered
Felt Panels



x36 (+5)
Large Ratchet Rivets
(19mm)

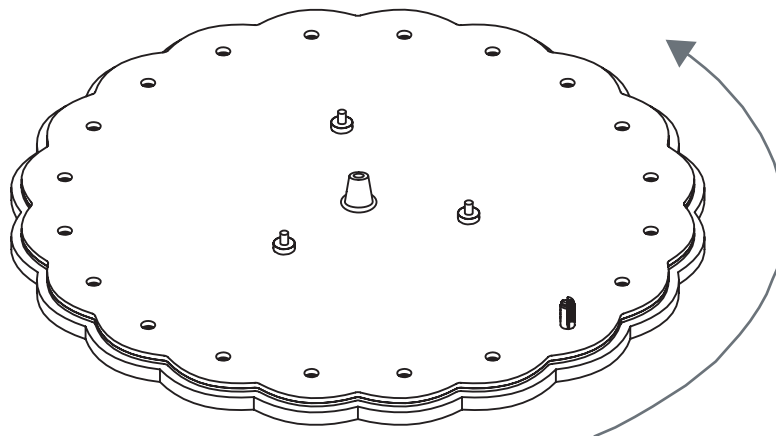
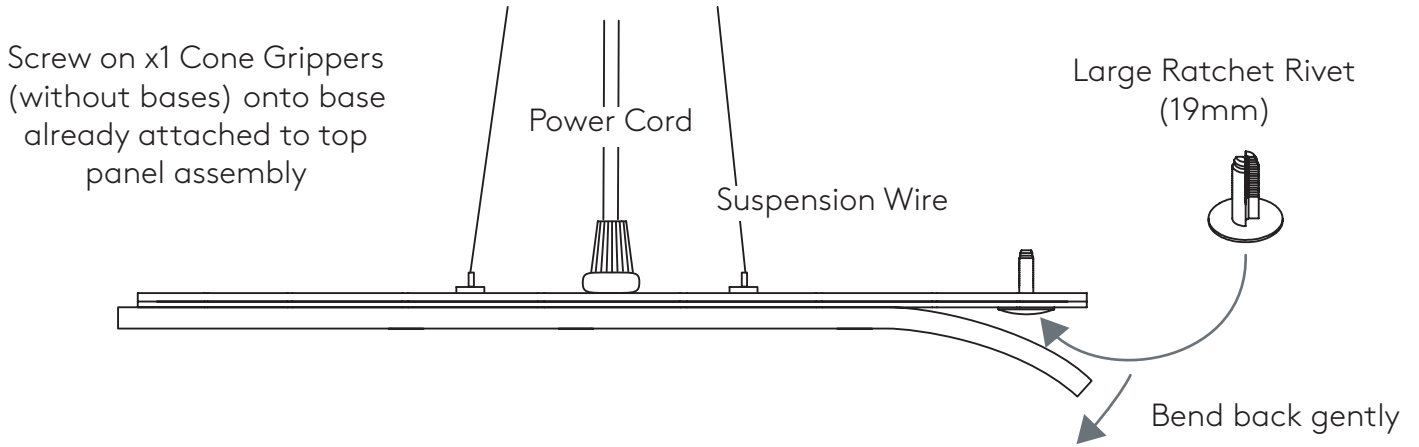


x36 (+5)
Small Ratchet Rivets
(13mm)



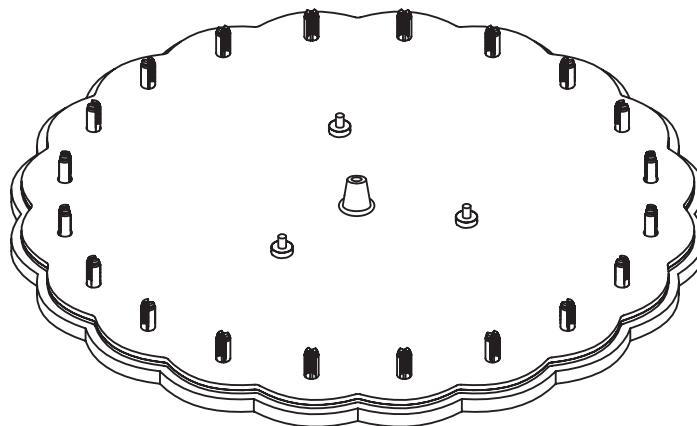
x1
Cone Gripper
with Base

Step 1 - Top Panel Ratchet Rivet Assembly

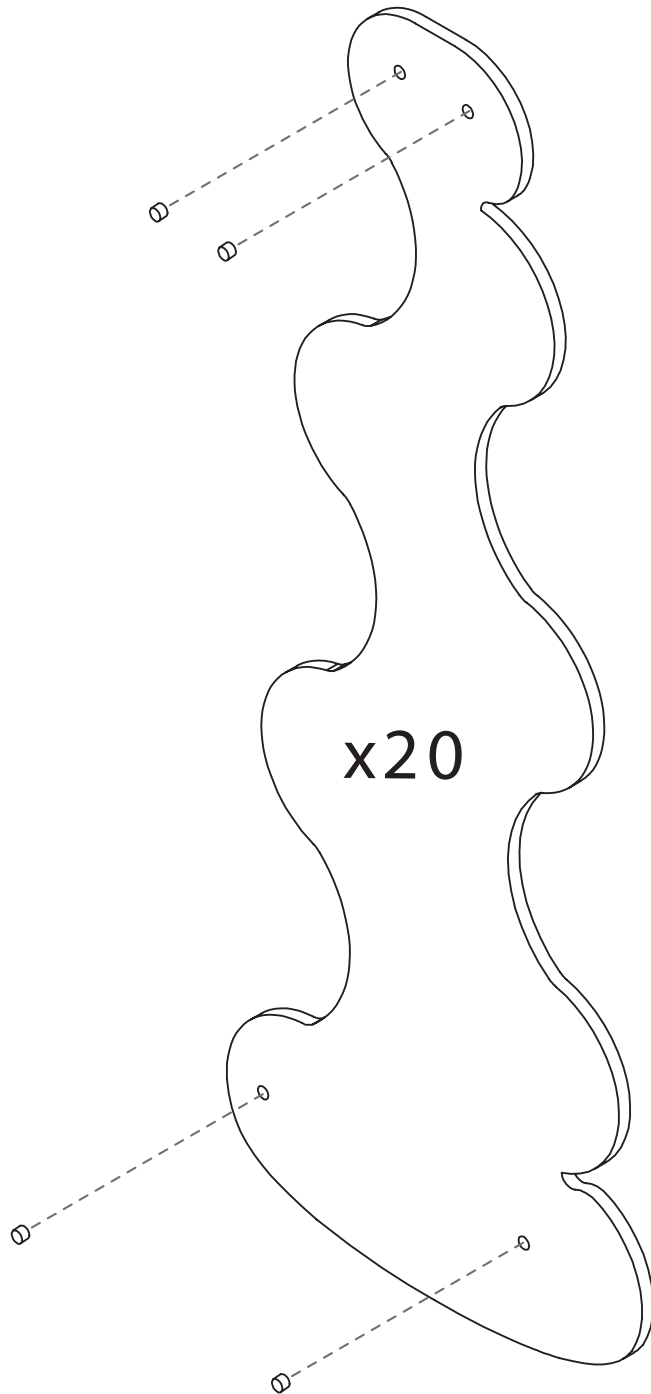


Insert Large Ratchet Rivets (19mm) in all holes around edge.

(power cord and suspension wires not shown)



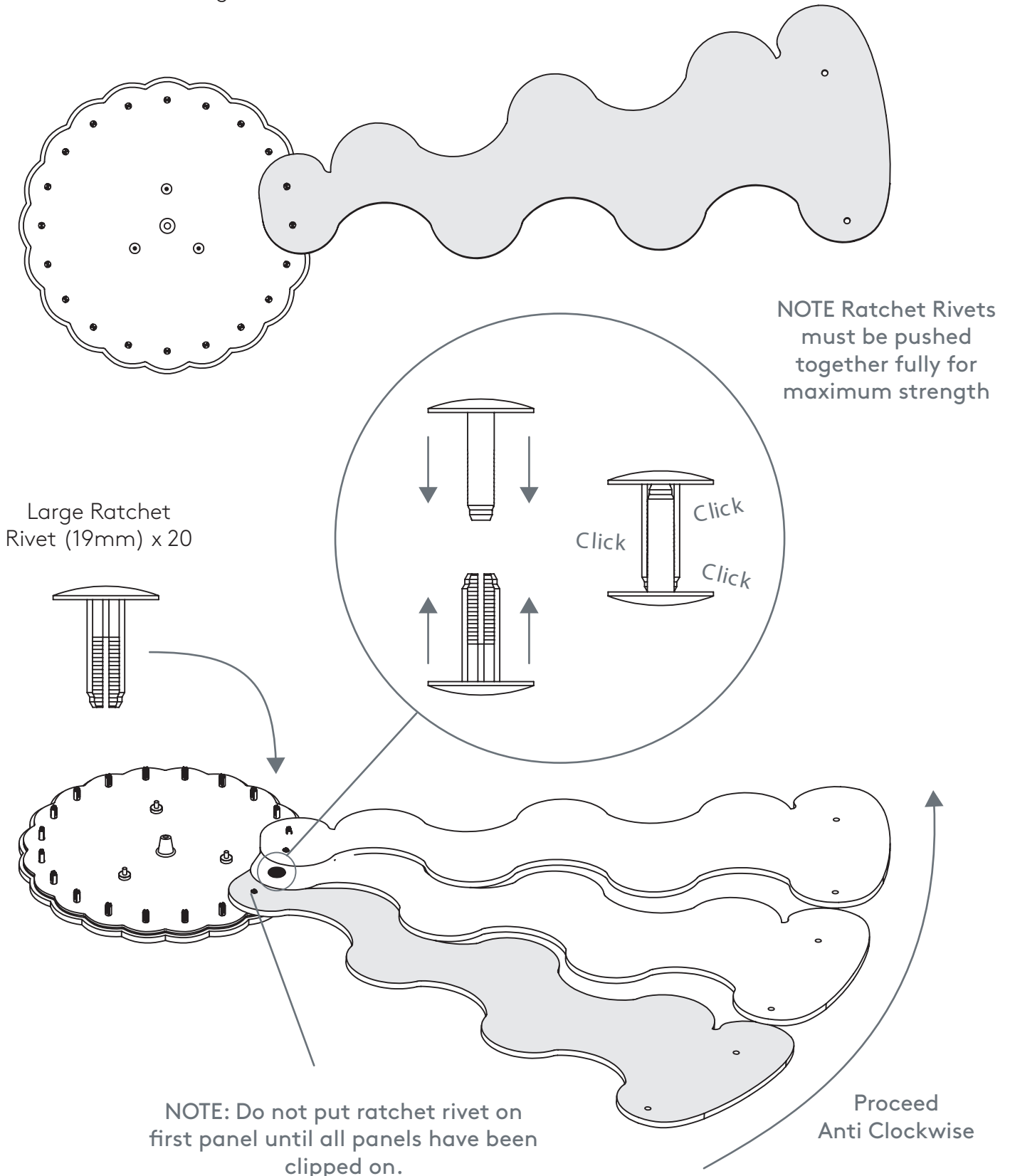
Step 2 - Pop out side panel plugs



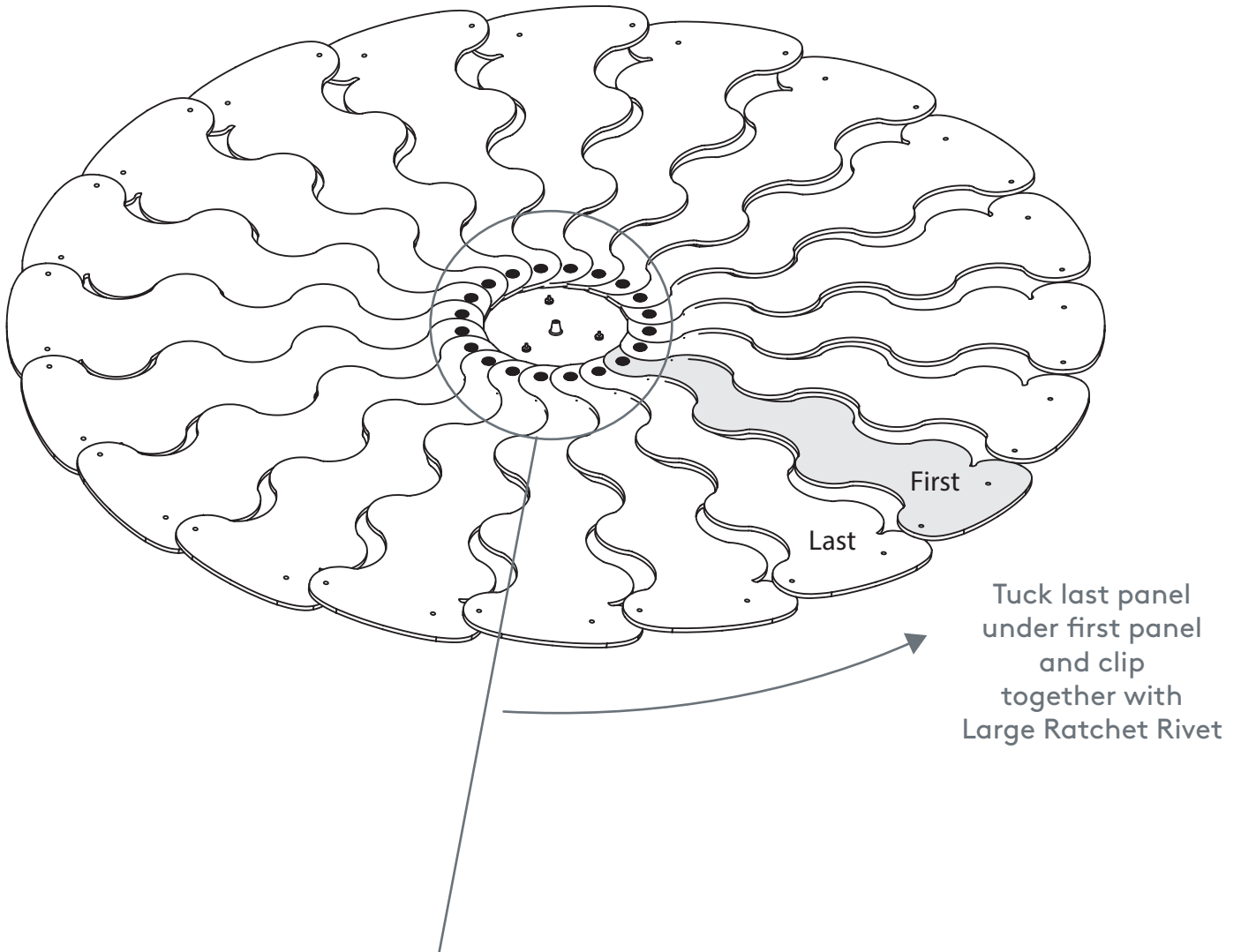
Push out the 4 plugs per panel to make way for the plastic clips.

Step 3 - Top Panel to Side Panel Assembly

Assemble on a large clean surface or on floor.

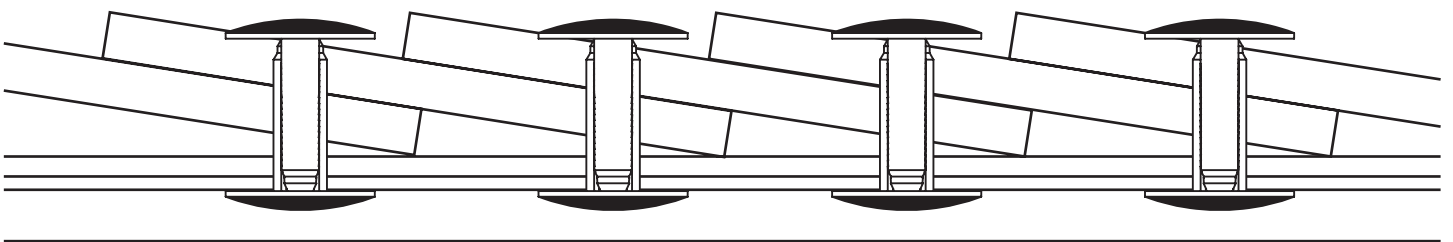


Step 4 - Top Panel to Side Panel Assembly Continued



Tuck last panel under first panel and clip together with Large Ratchet Rivet

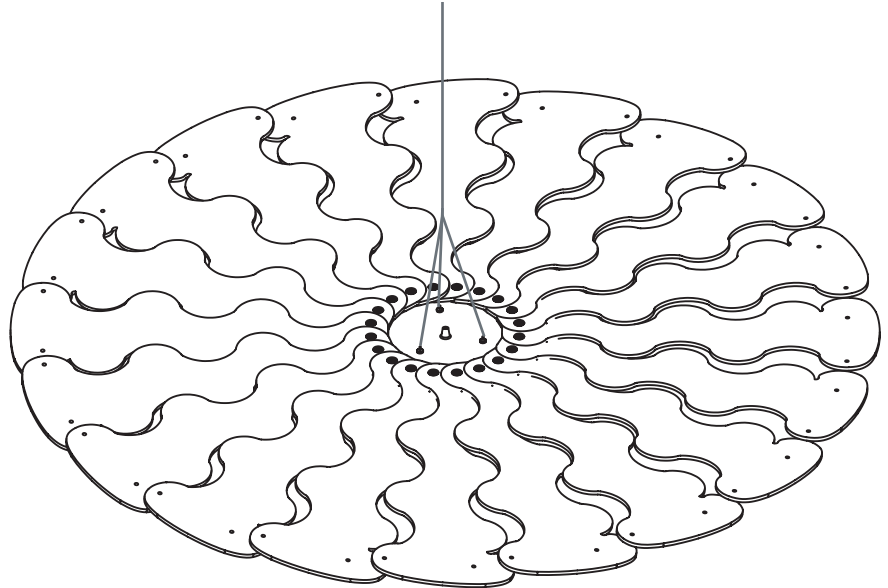
Cross Section Detail View of Top Panels overlapping.



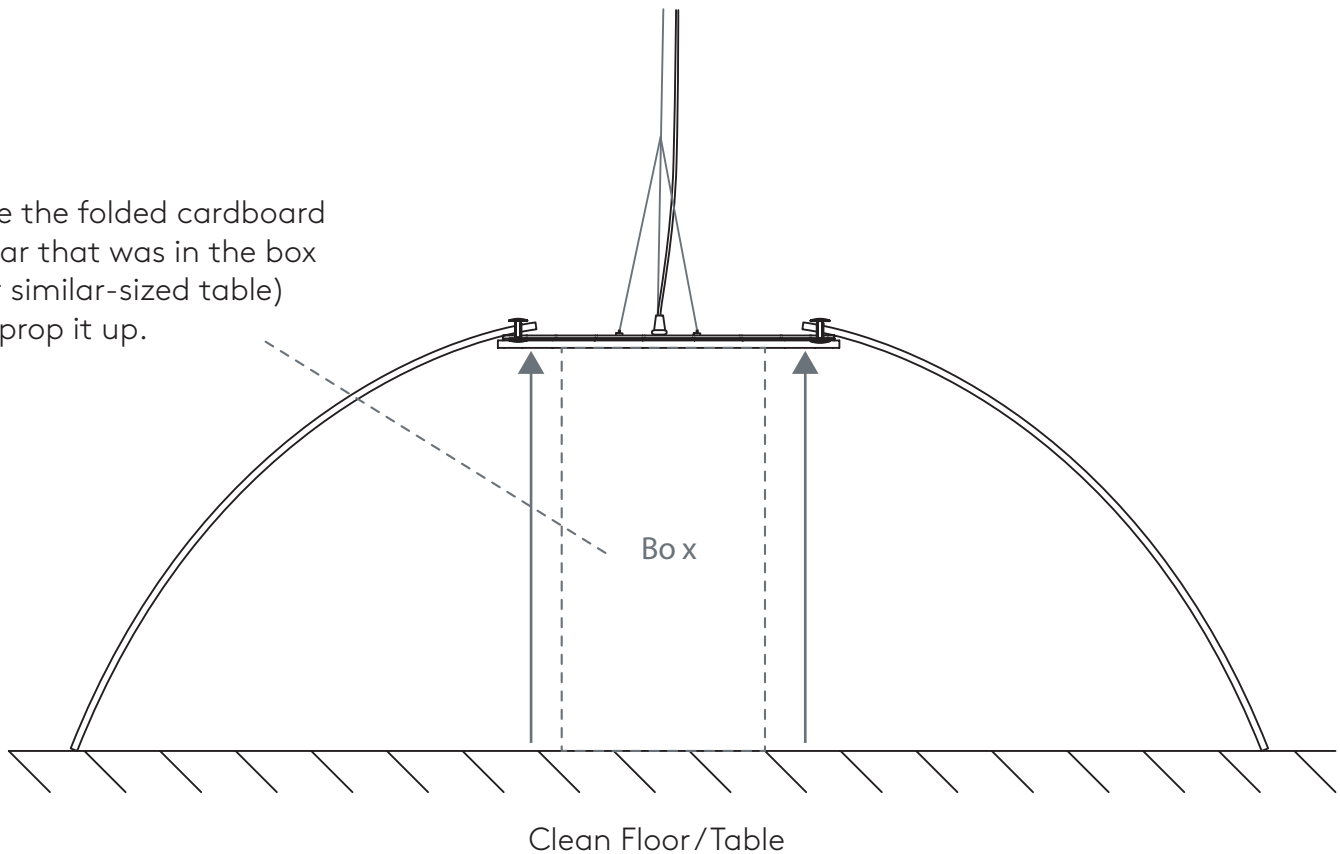
Step 5 - Lifting into shape

Use suspension cable to lift the Hush Mini approximately 400mm (16 in) from the floor/surface.

The panels will begin to fall into their natural shape.

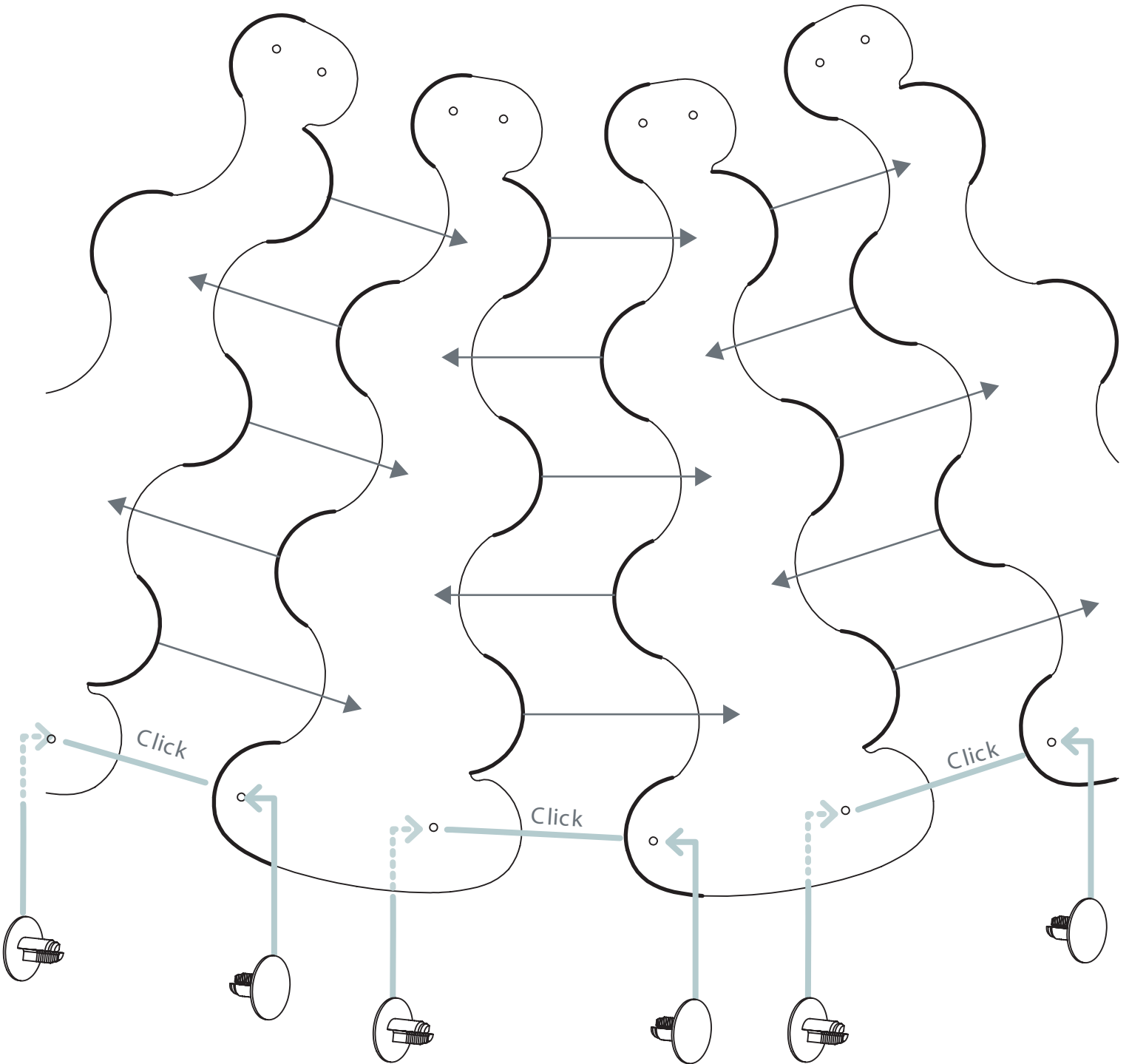


Use the folded cardboard pillar that was in the box (or similar-sized table) to prop it up.



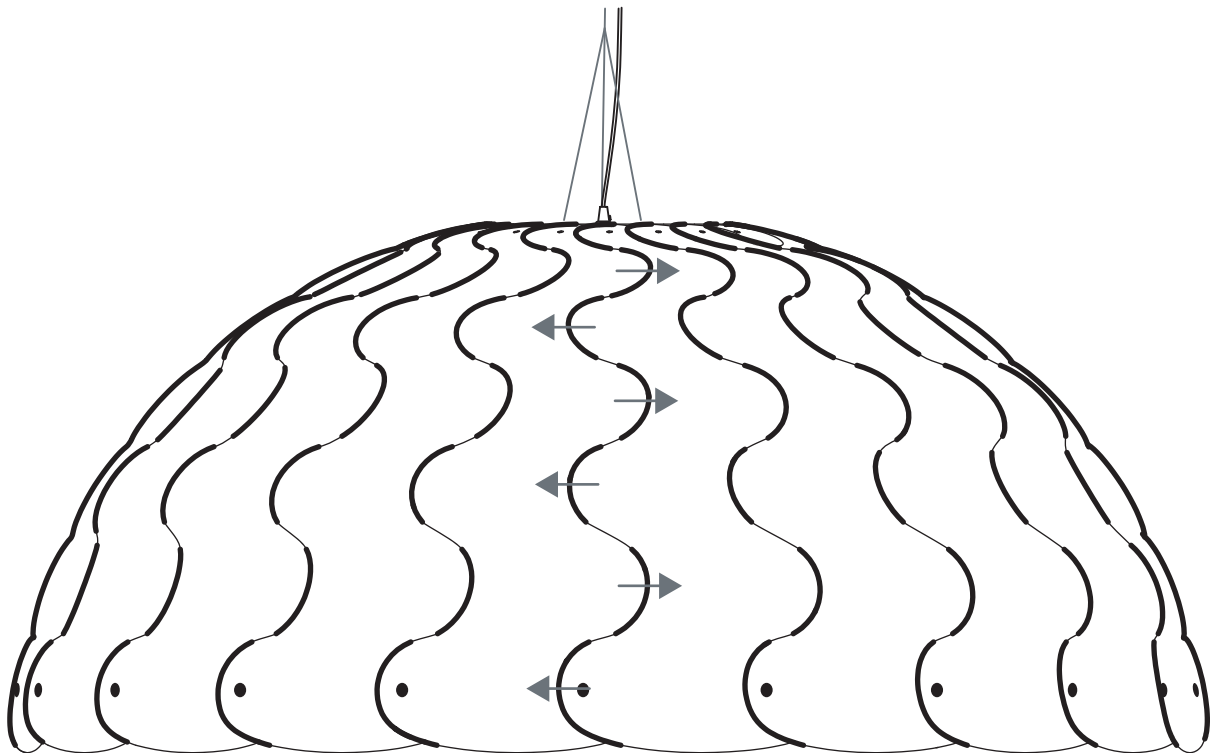
Step 6A - Weaving of Panels - Exploded Detail

Bold Lines indicate the 'Ear' that sits on the outside of the Hush Mini.
This weaving pattern is essential to lock the shape together



Once two panels are woven together, use two of the shorter Ratchet Rivets (13 mm) to lock them together.

Step 6A - Weaving of Panels - Finished Detail



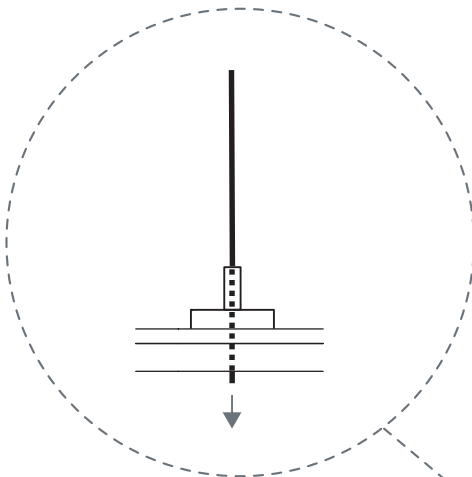
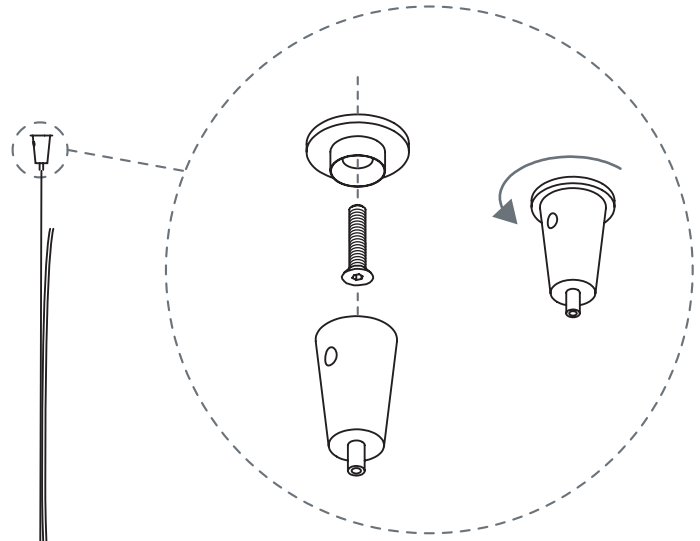
Bold Lines indicate the 'Ear' that sits on the outside of the Hush Mini.
This weaving pattern is essential to lock the shape together

Step 7 - Height Adjustment and Levelling

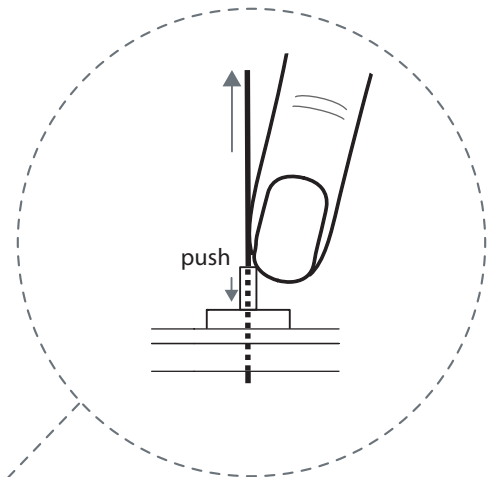
Ceiling Mounting Point.

If installing into wood use a countersunk timber screw (not supplied) to affix cone grip to ceiling.

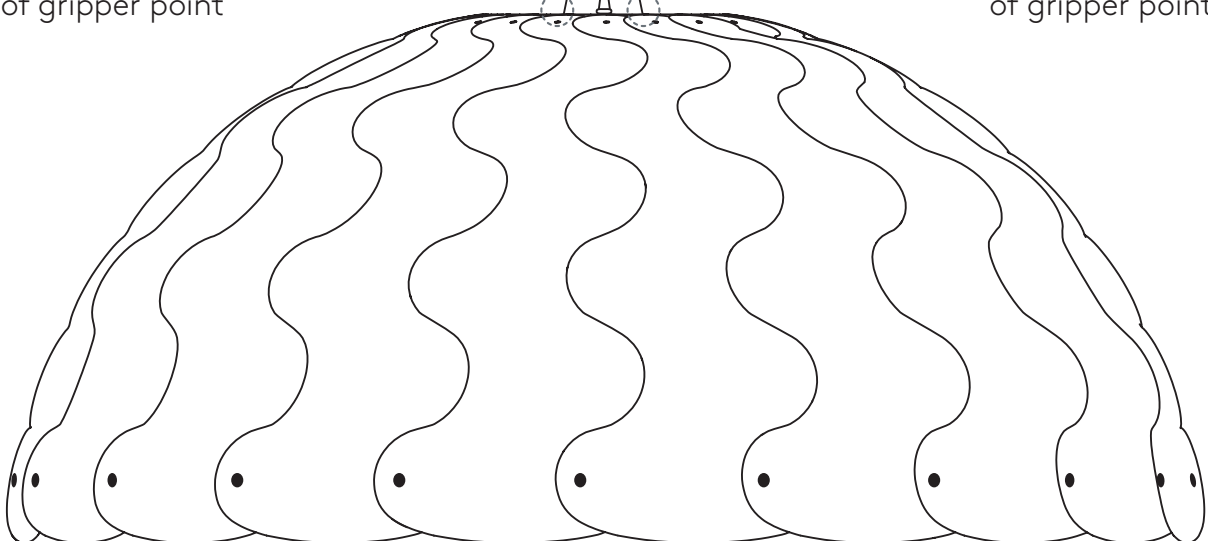
If installing into concrete use countersunk anchor bolt (not supplied) to affix cone grip to ceiling.



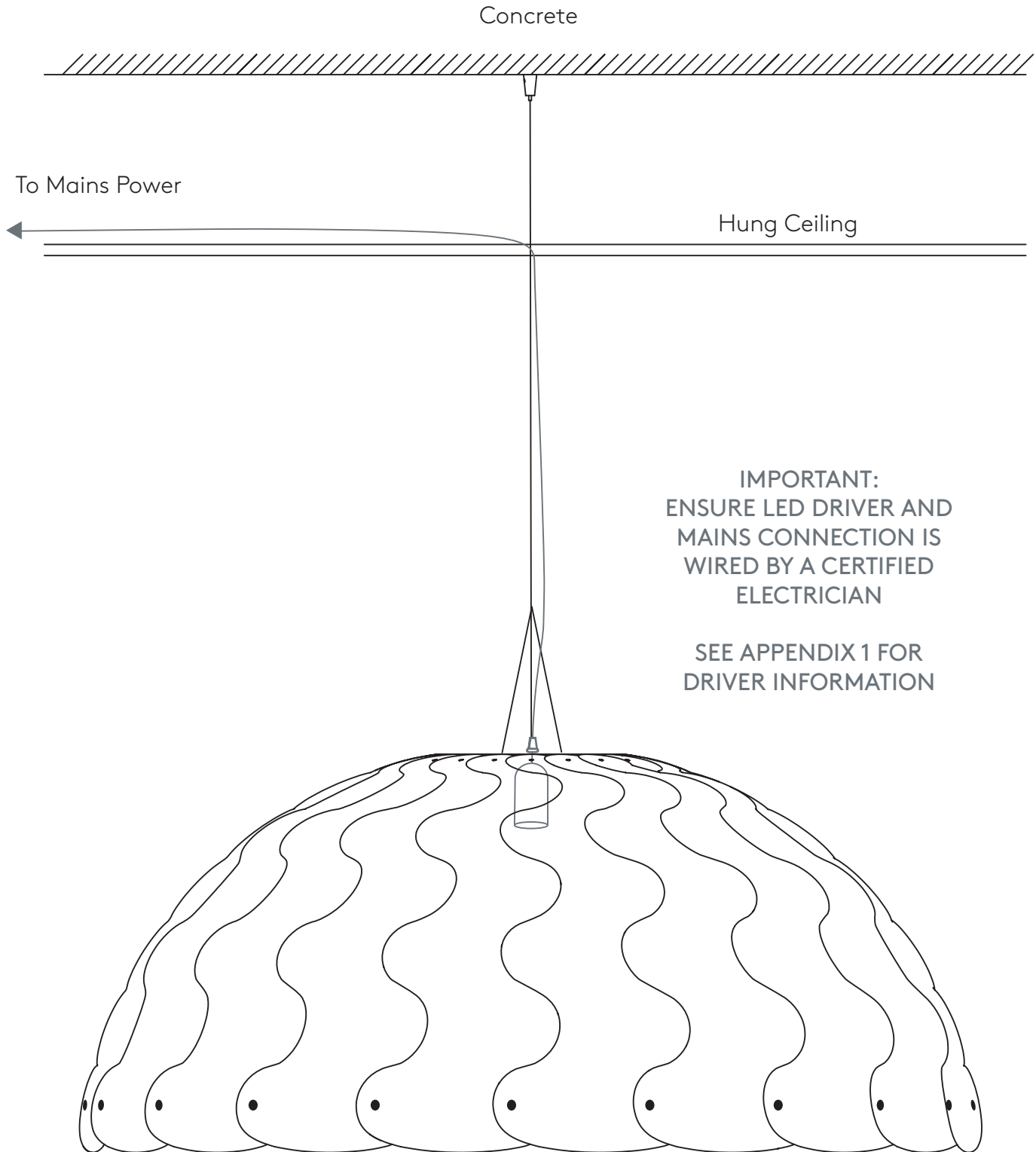
To shorten wire:
Pull cable through hole
in side of gripper point



To lengthen wire:
Depress cylinder at top
of gripper point and pull
wire out



Step 8 - Electrics with Hanging Ceiling



Appendix 1: Top Panel Sub Assembly

